

ProGuard[®] NRC - *Noise Reduction Curtain*

NRC

www.safeatsite.com

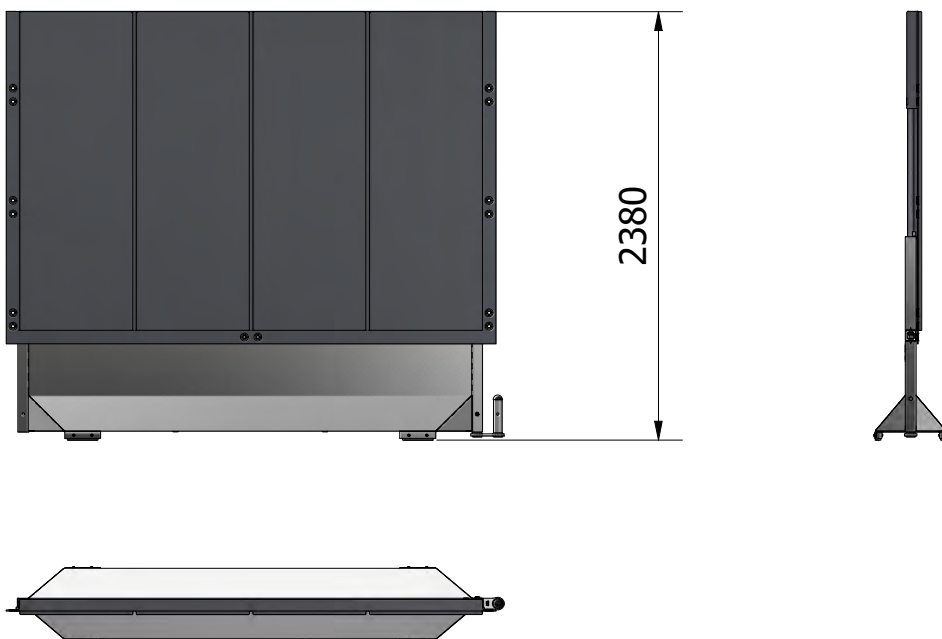
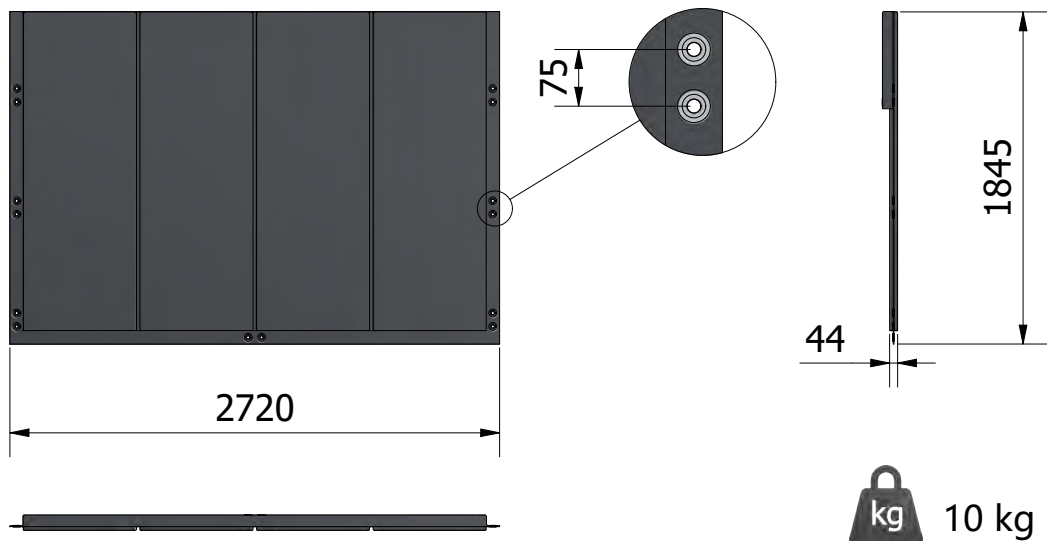


**SAFE
AT SITE**

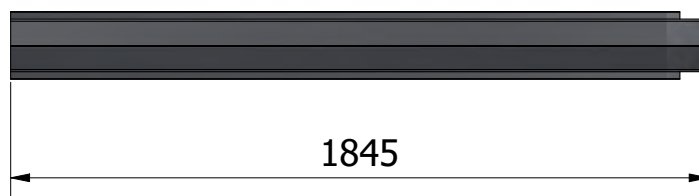
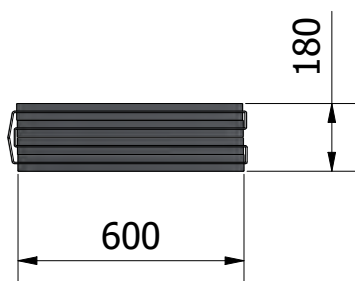
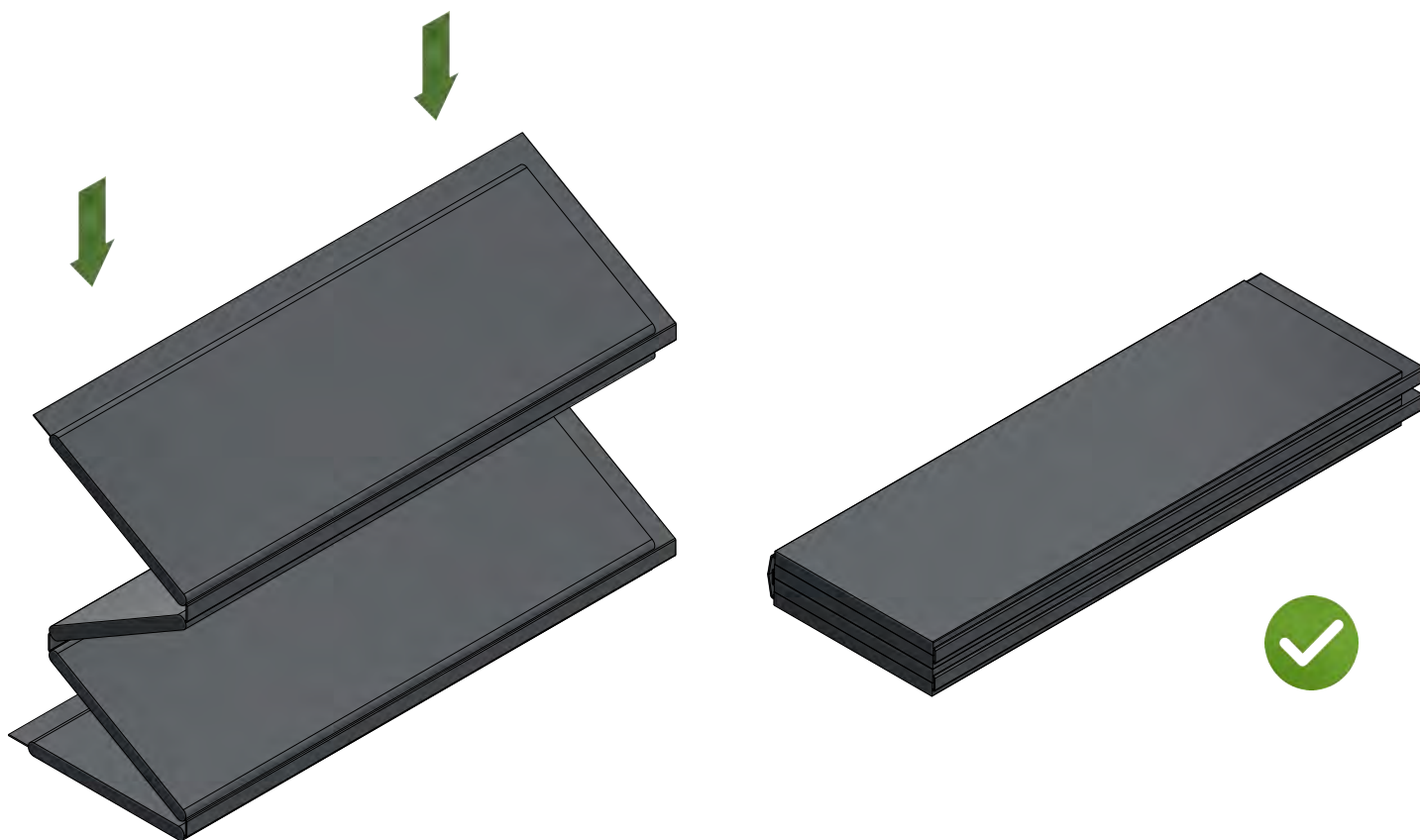
ProGuard NRC

NRC - Noise Reduction Curtain

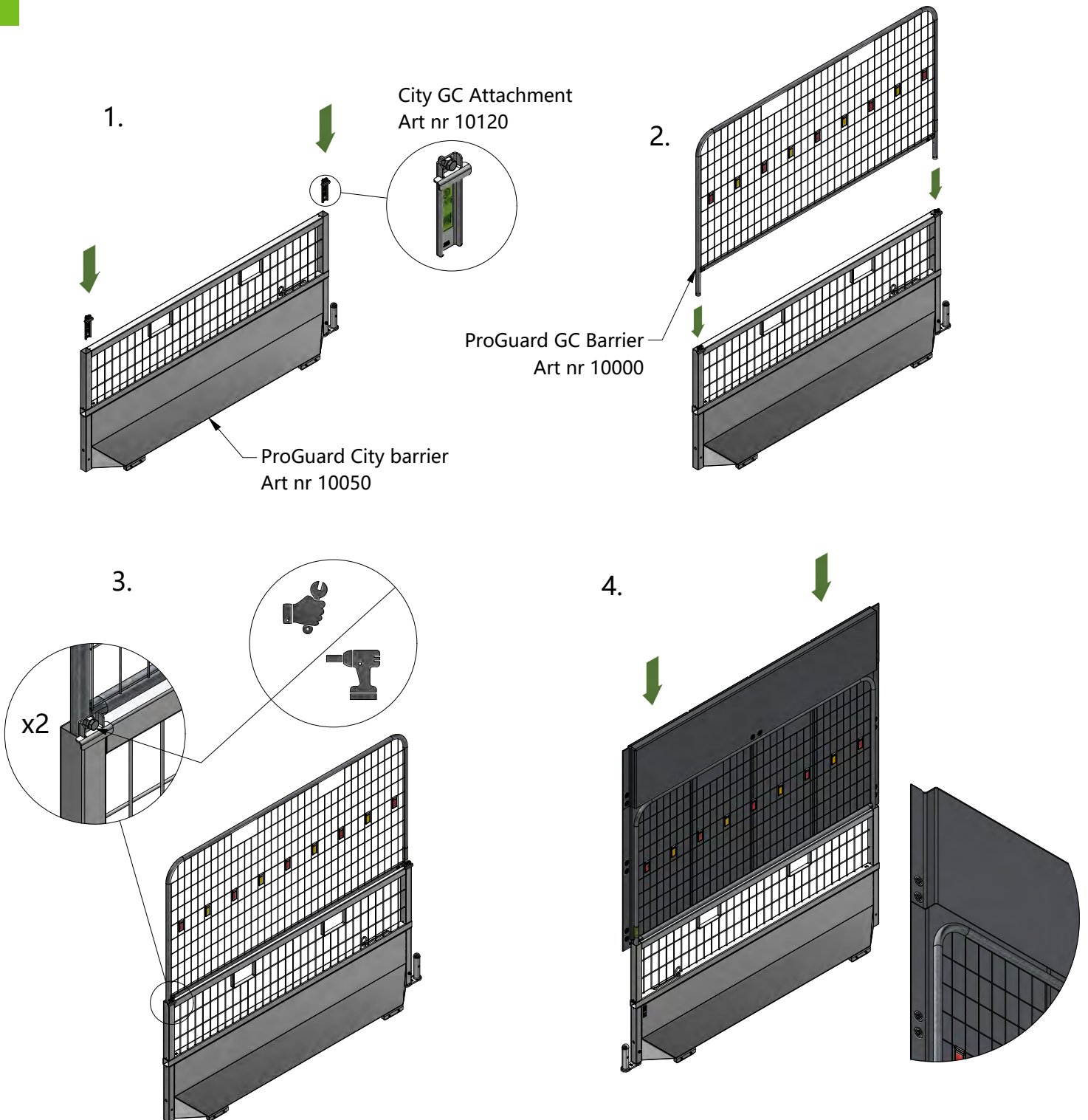
Art. nr 10210



Storage and handling

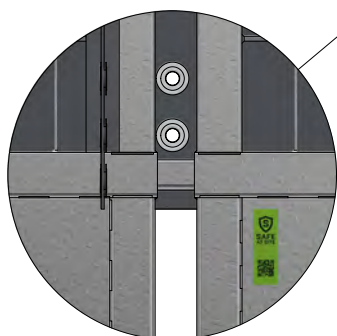
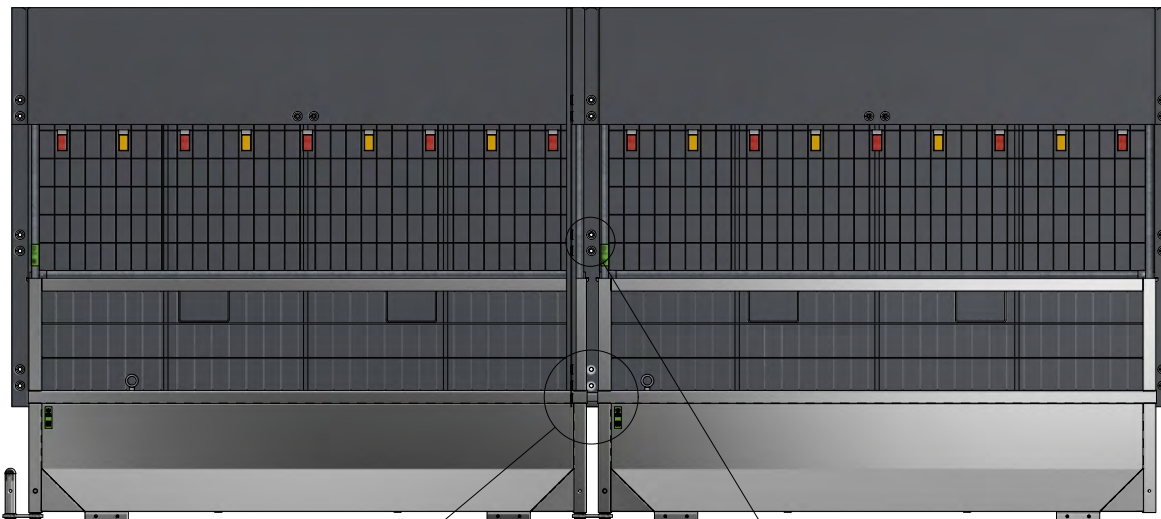


Installation

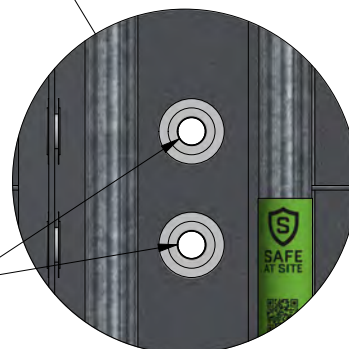


Installation

Straight sections

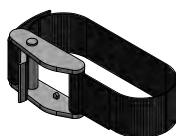


Always activate Locking Bar with straight sections!



Connect panels using straps through the eyelets

Safe At Site Strap 300mm
Art. nr 95004

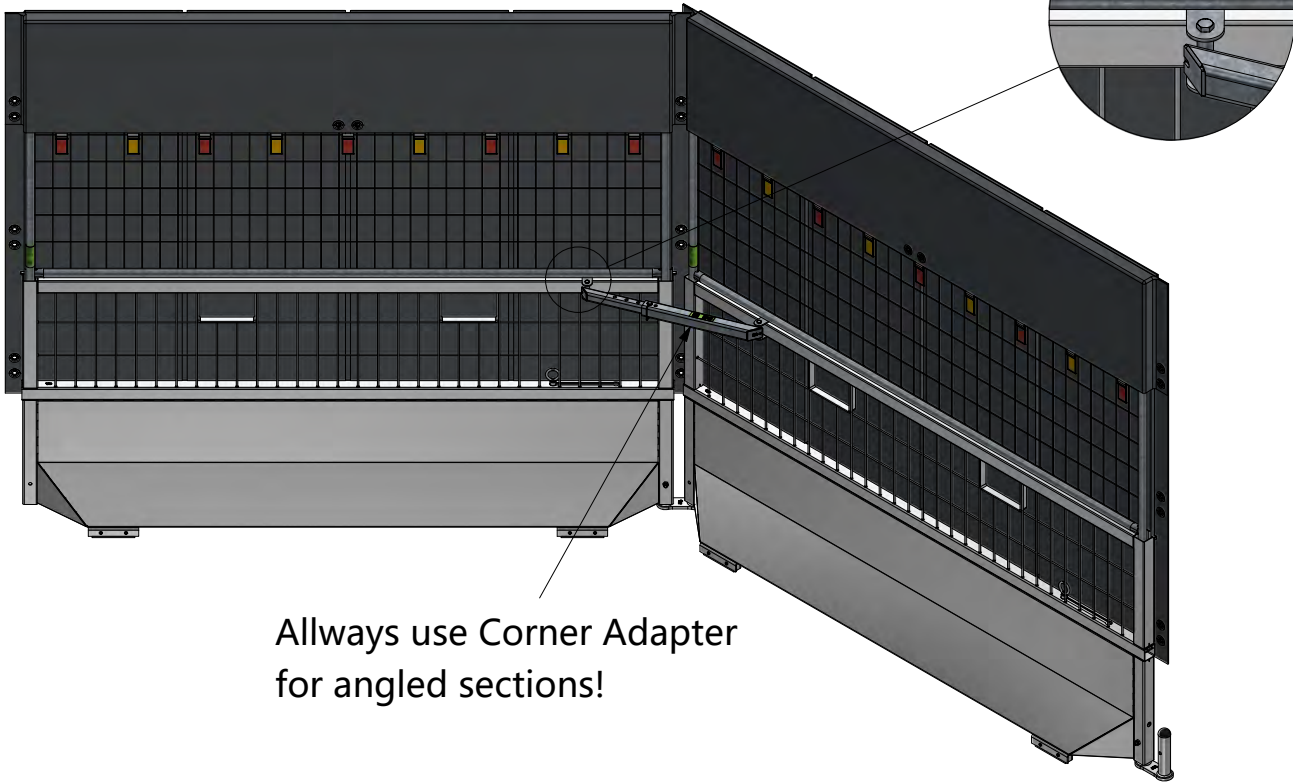


Alt. cable ties

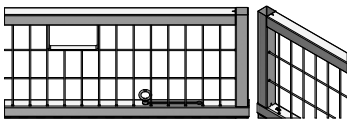


Installation

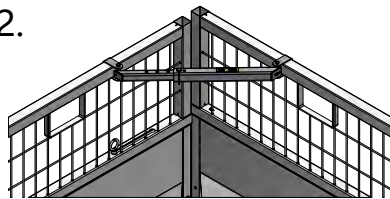
Corners



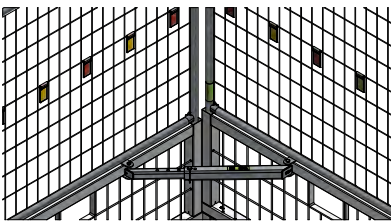
1.



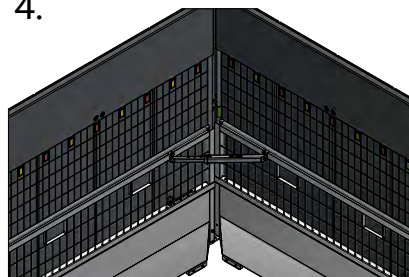
2.



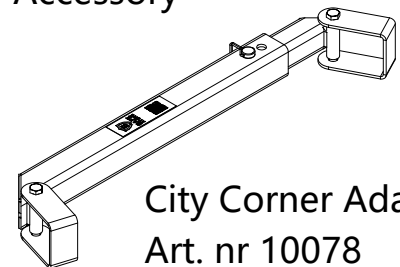
3.



4.



Accessory

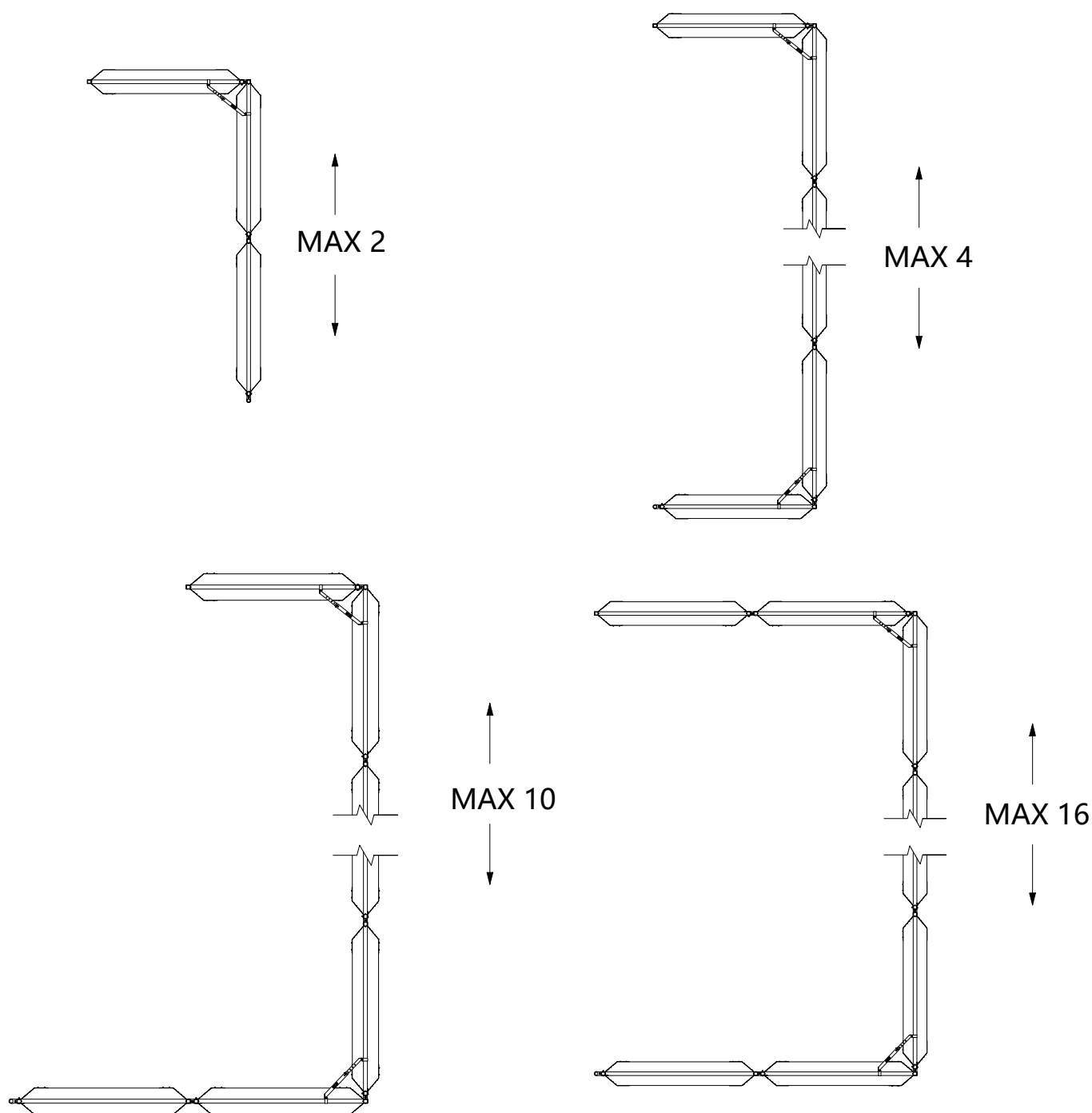


City Corner Adapter
Art. nr 10078

Wind load

When covering the barriers, wind load becomes a factor to considerate. To be able to withstand strong winds up to 20 m/s, the system must be supported using the following instructions.

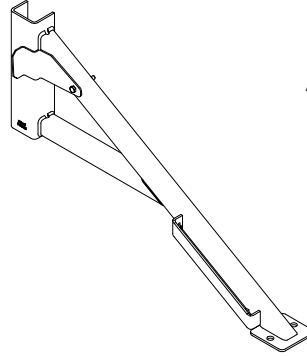
For other configurations, contact Safe At Site AB for guidance.



Accessories

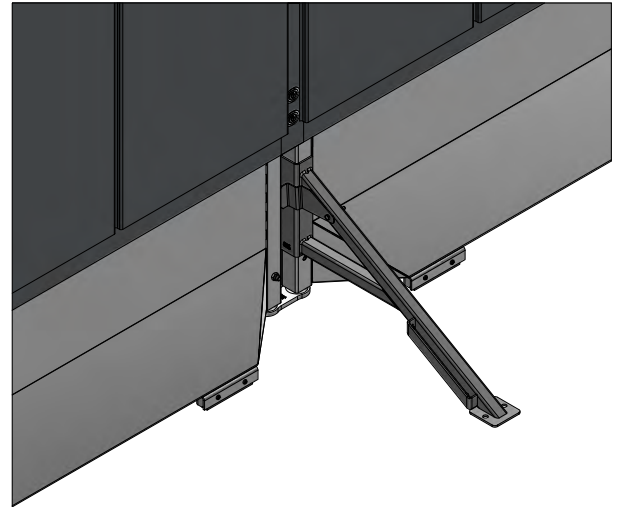
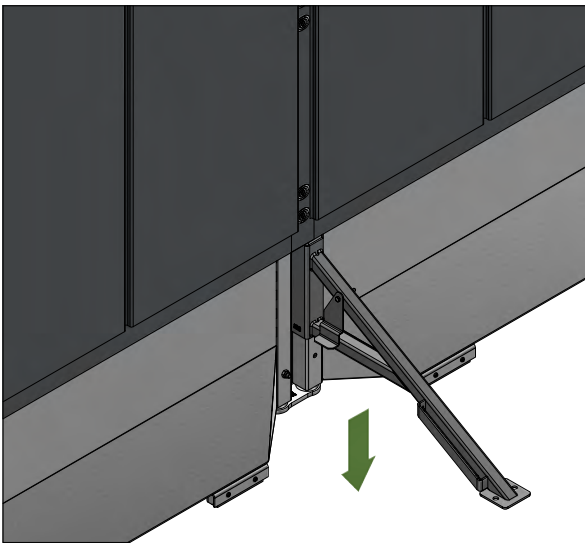
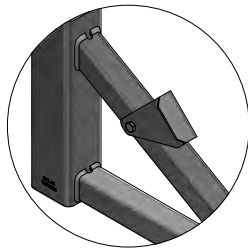
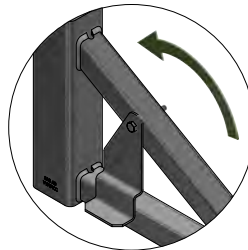
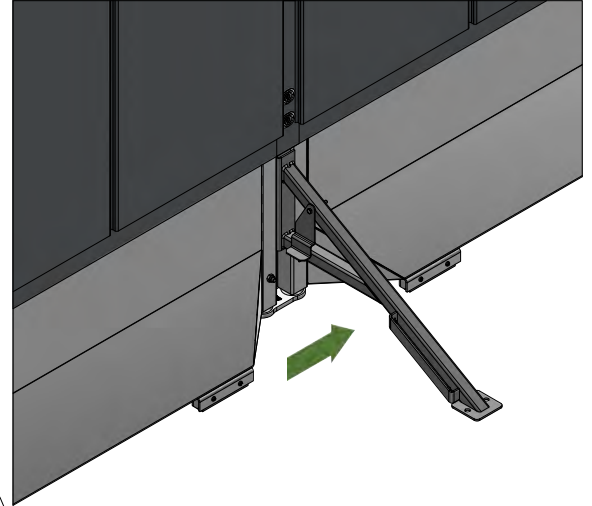
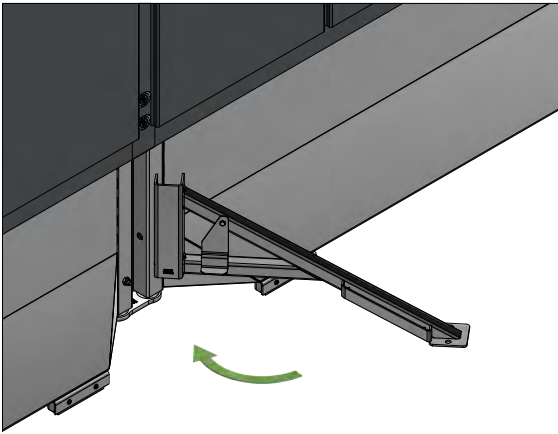
Support

For configurations without corners,
use NRC Support.



NRC Support
Art. nr. 10220

 kg 6,8 kg



Accessories

X3 Attachment

