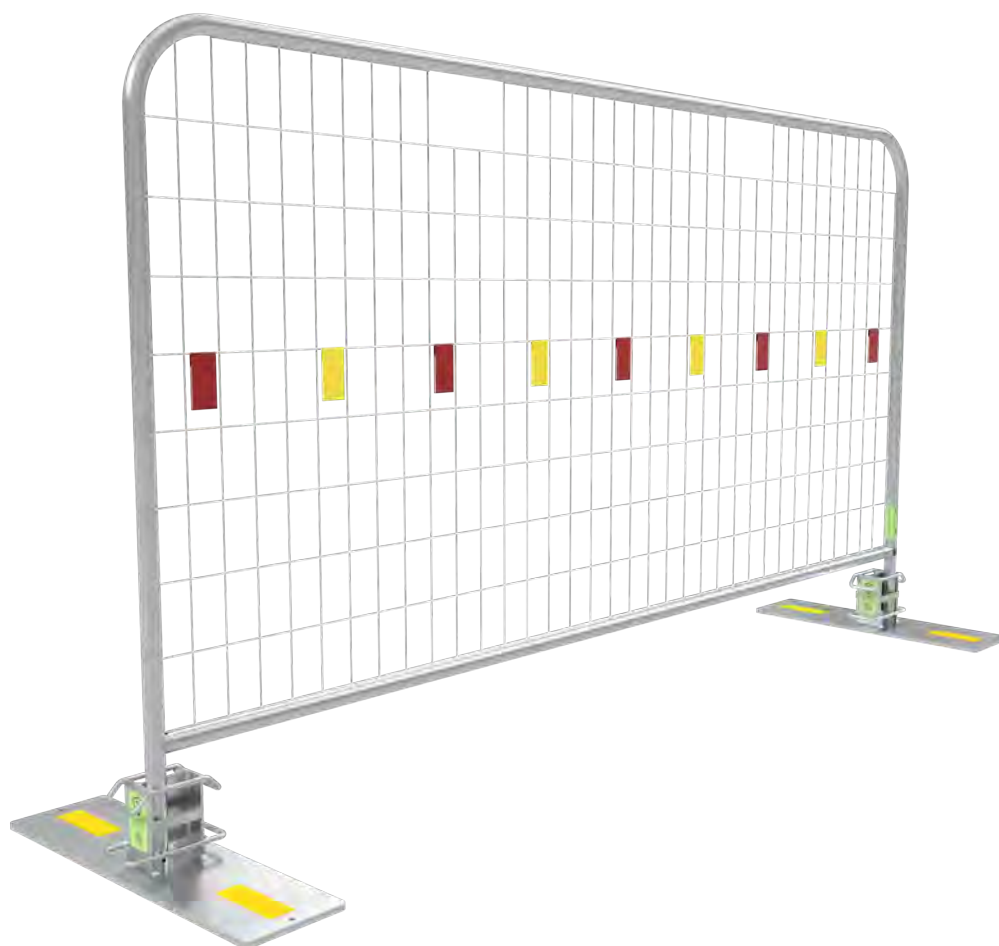


# ProGuard<sup>®</sup>

## GC Barrier

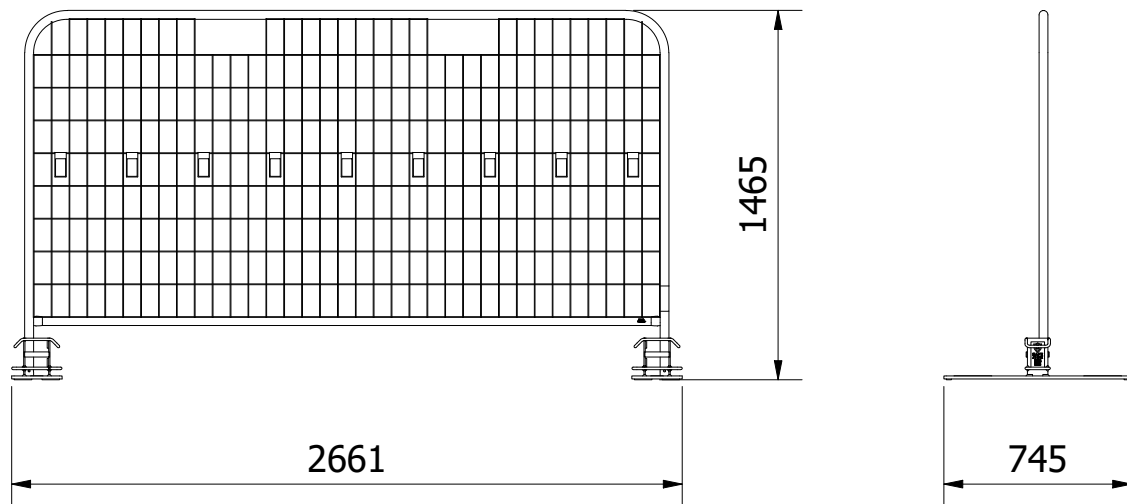
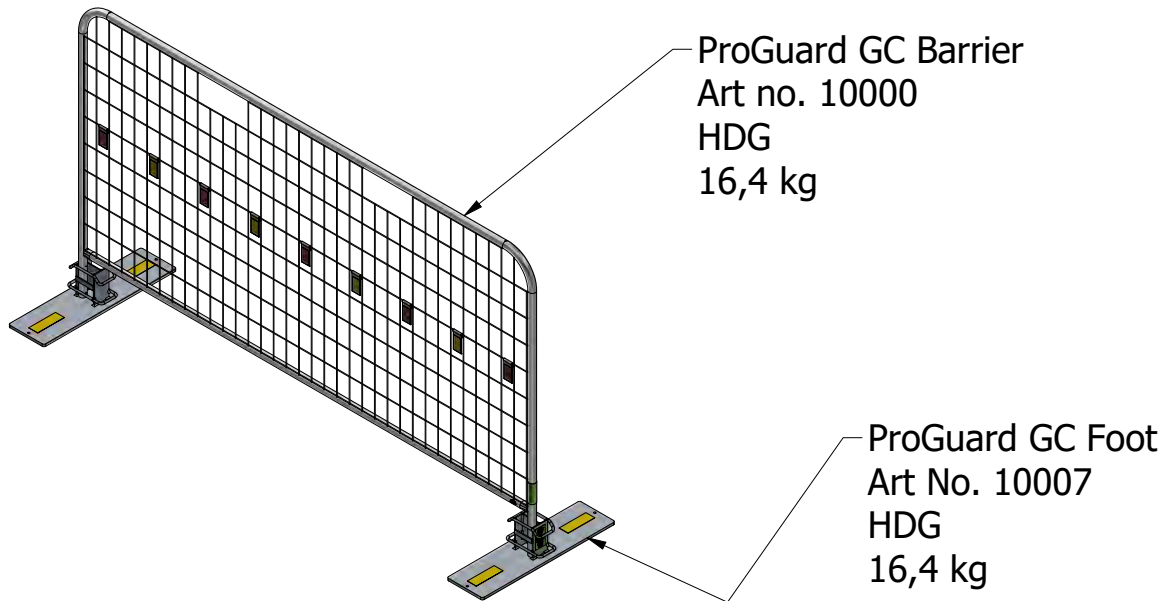
[www.safeatsite.com](http://www.safeatsite.com)



# SAFE AT SITE

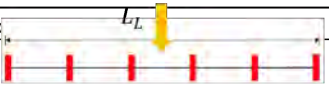
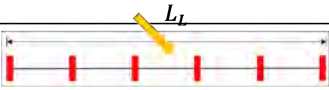
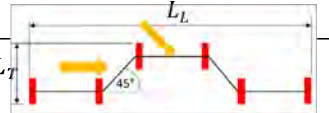
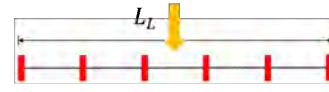
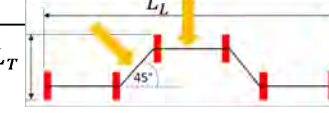
1/10

# ProGuard GC Barrier



# Tested according to SS 7750-1

ProGuard GC Barrier is tested according to SS 7750-1. Approved configurations, range of motion and installation requirements are listed in the table below

Test results						
Class	Cc	Length longitudinal	Length transverse	Sl	St	Installation req.
1		MIN 13 m (5 sections)	-	0,4 m	-	GC Clamp
2		MIN 13 m (5 sections)	-	0,6 m	-	GC Clamp
2		MIN 11,3 m (5 sections)	MIN 2,5 m	0,6 m	0,6 m	GC Clamp
3		MIN 13 m (5 sections)	-	1,2 m	-	GC Clamp
		MIN 23 m (9 sections)	-	0,9 m	-	GC Clamp
		MIN 7,7 m (3 sections)	-	0,0 m	-	GC Clamp and concrete screw 8x90 mm
3		MIN 11,3 m (5 sections)	MIN 2,5 m	1,2 m	0,7 m	GC Clamp

Sl = Range of motion longitudinal  
St = Range of motion transverse

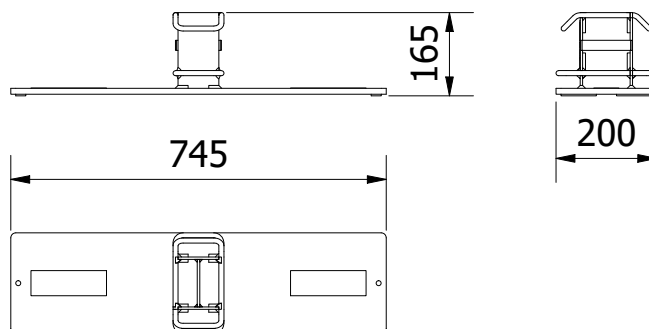
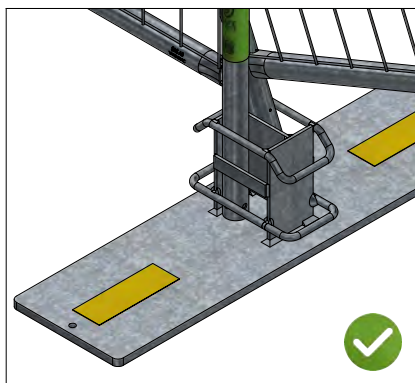
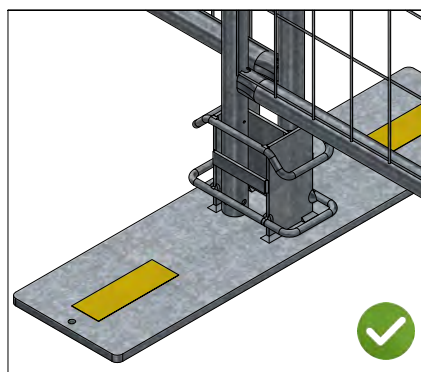
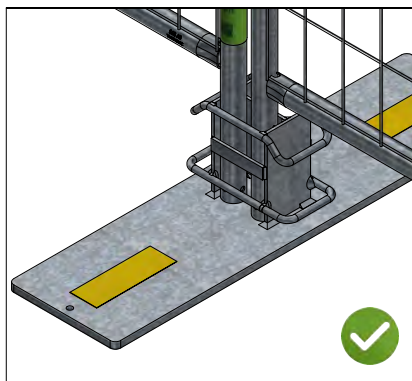
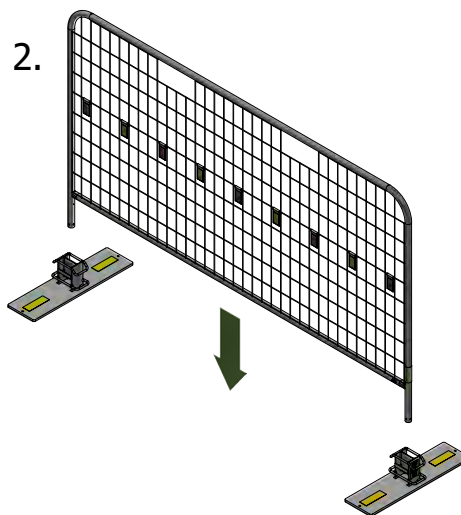
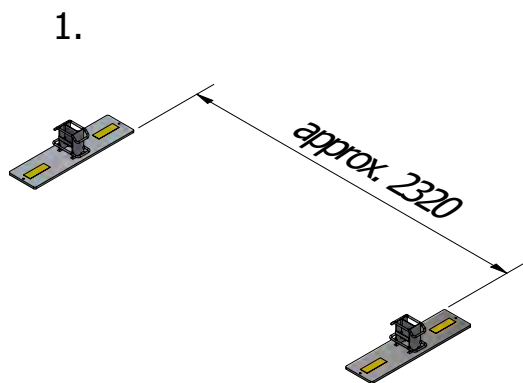
## Installation requirements explained

**GC Clamp:** A GC Clamp (art nr. 10015) is installed between every section.

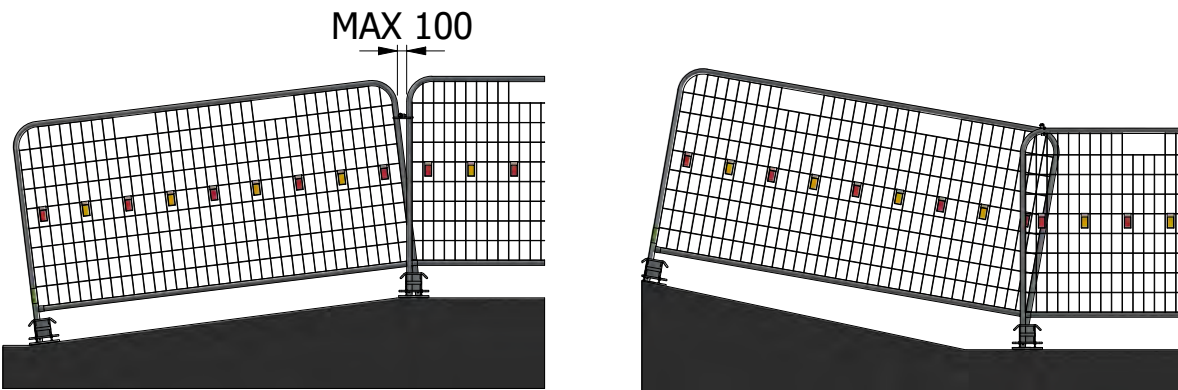
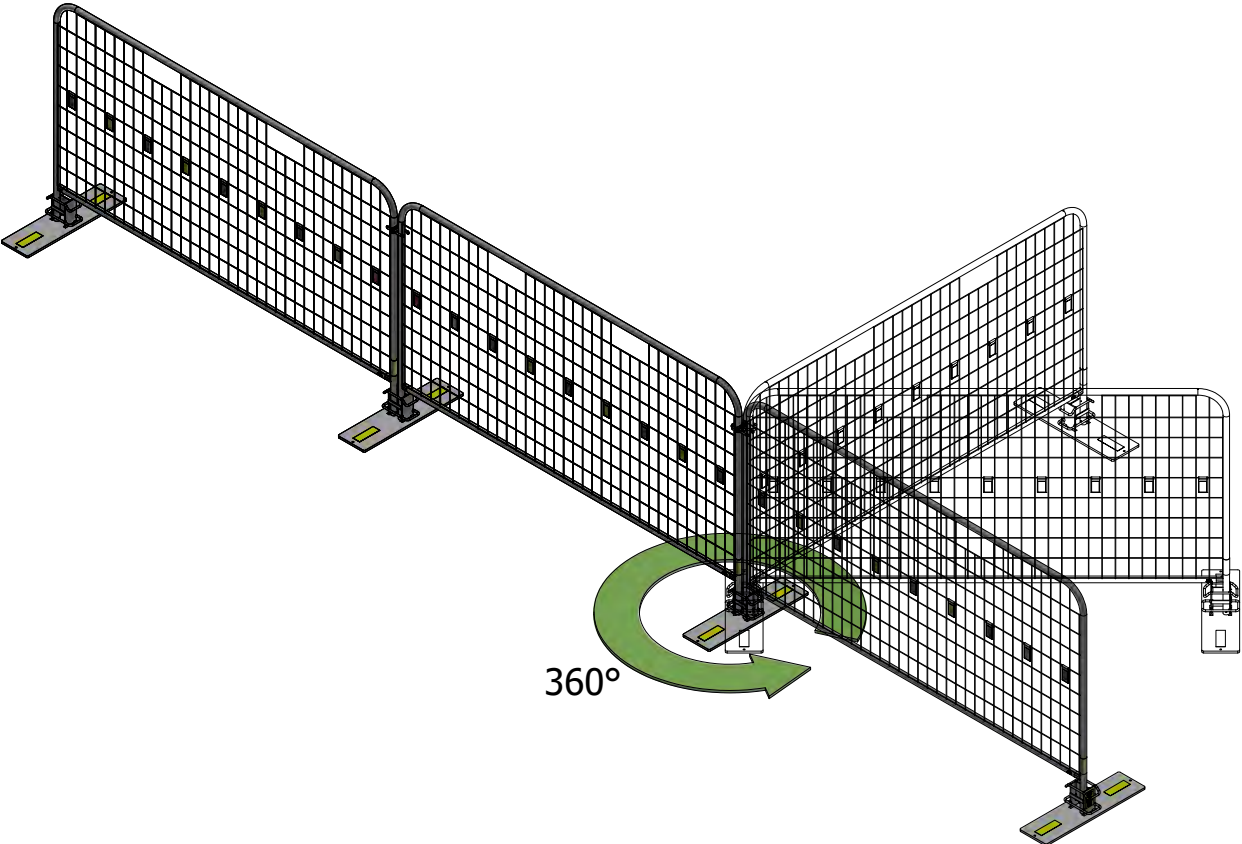
**Concrete screw:** A concrete screw measuring 8x90 mm is installed on each GC Foot. The screw is mounted on the traffic side of the configuration.



# Installation

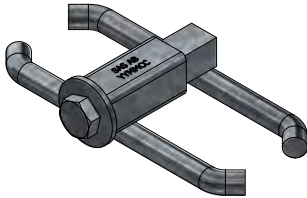


# Configurations



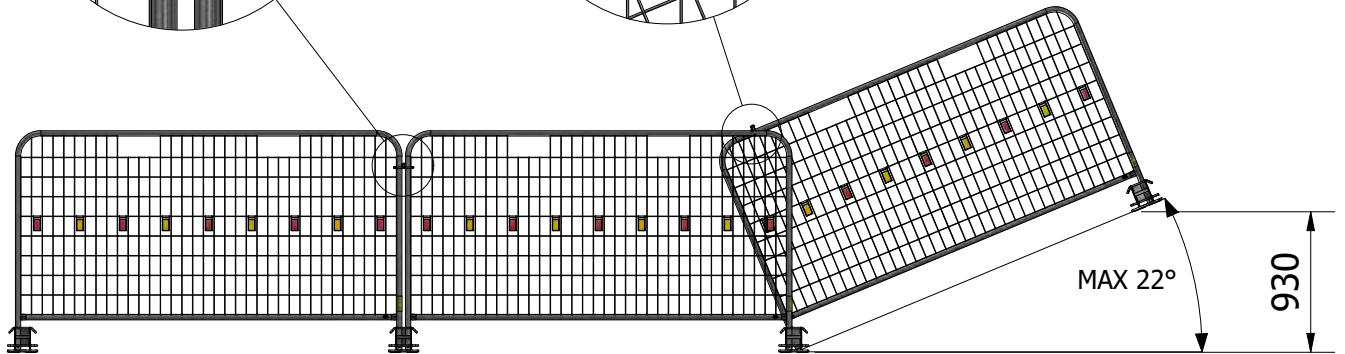
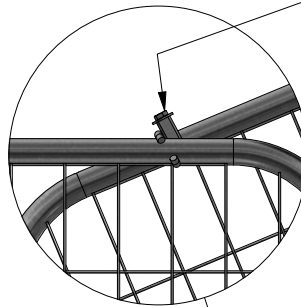
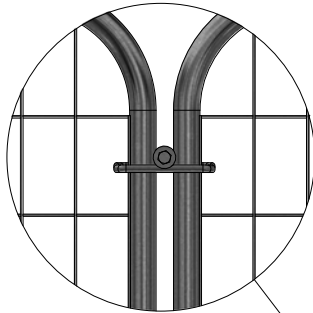
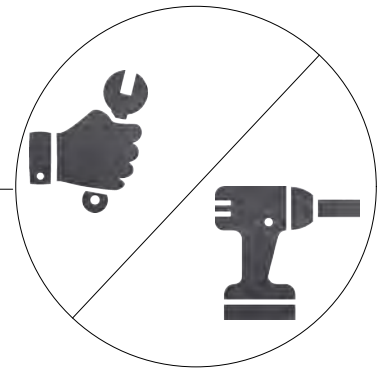
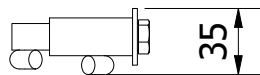
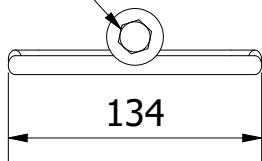
# Mount clamp / strap

Alt. 1



GC Clamp  
Art. nr. 10015  
HDG  
Mass: 0,3 kg

WAF 16

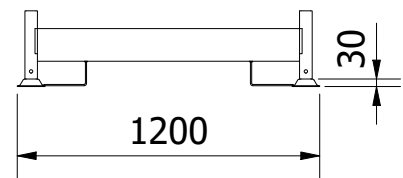
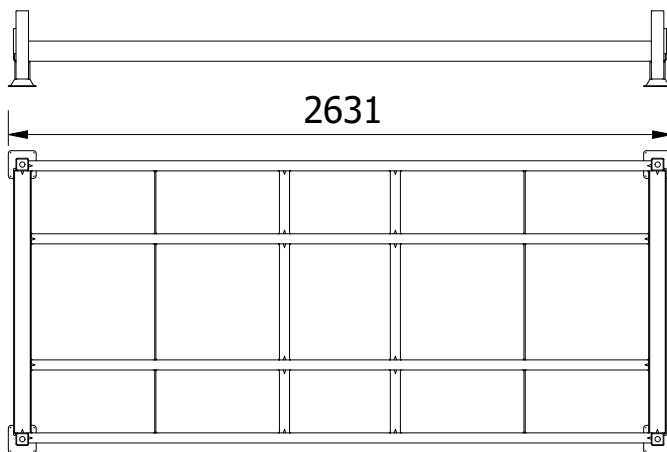
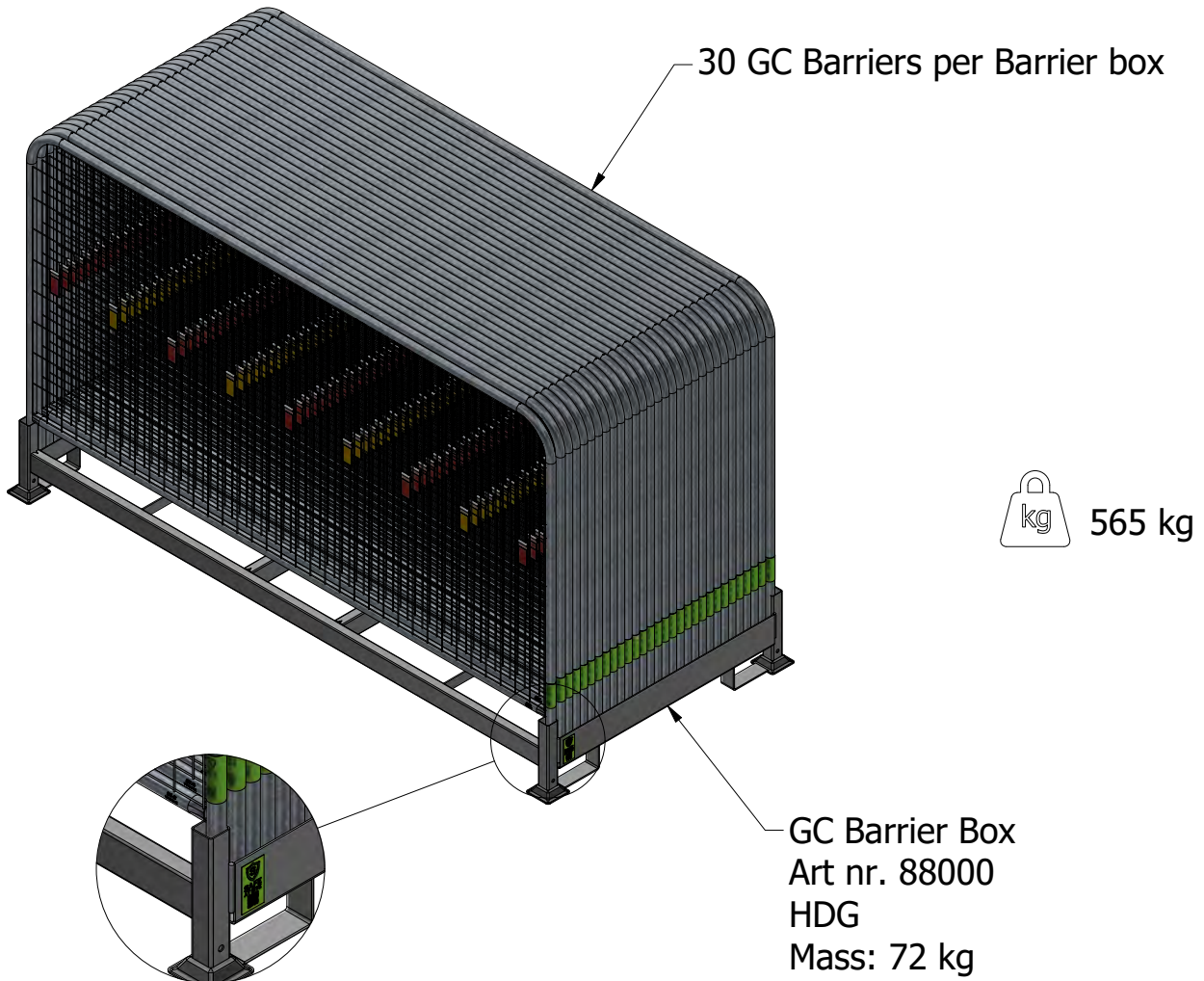


Alt. 2

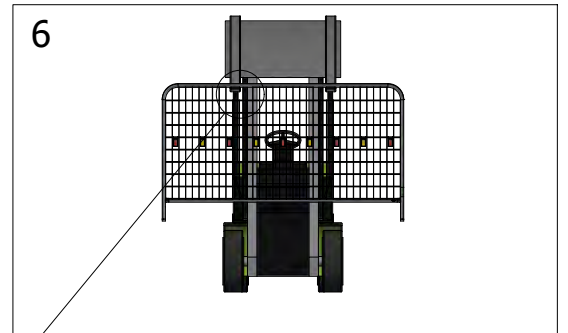
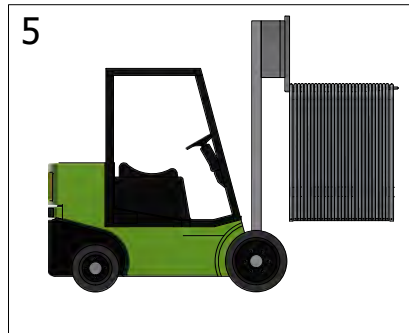
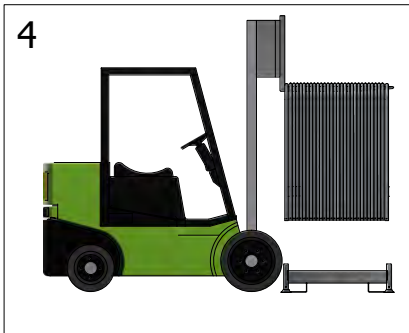
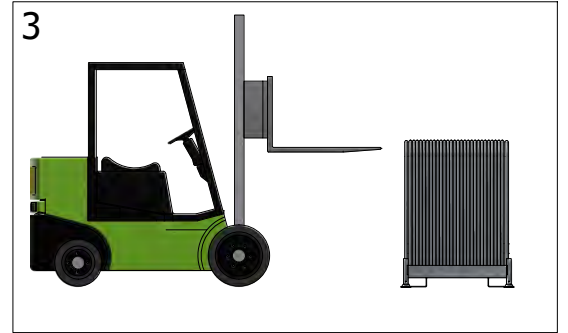
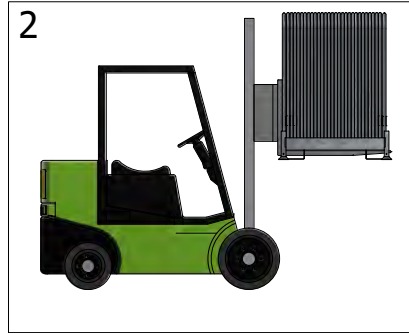
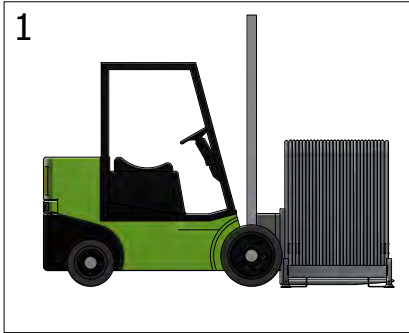
PRODUCT	ART. NR.	MASS	MATERIAL
Safe At Site Strap 300mm	95004	0,1 kg	PP



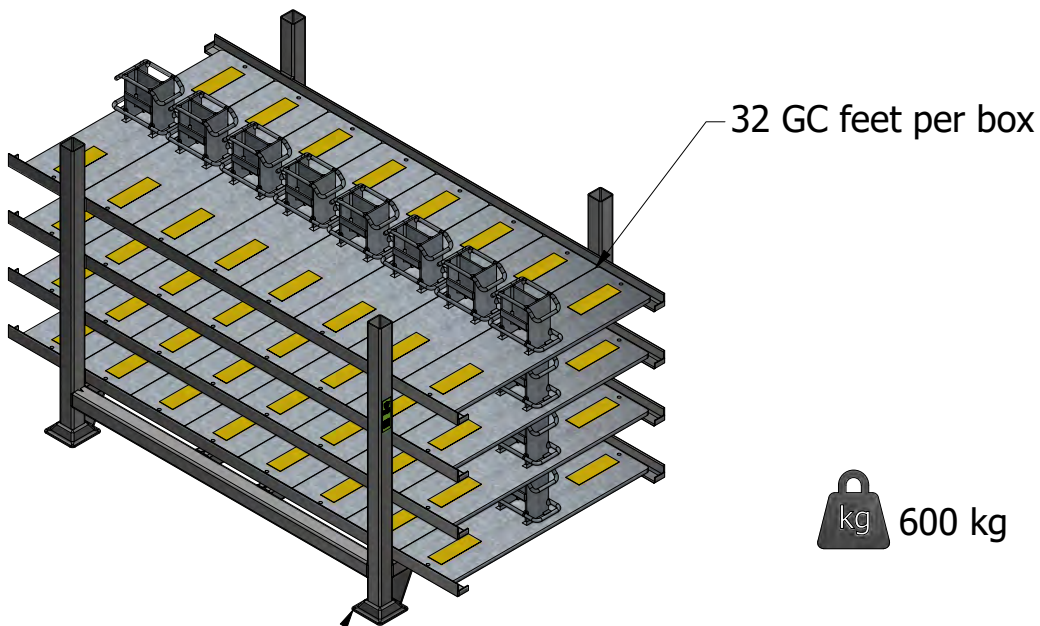
# Stacking - GC Barrier



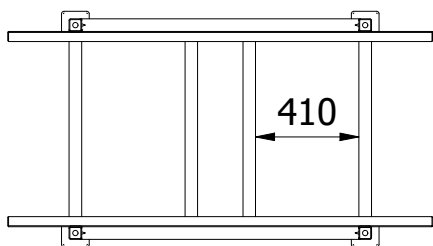
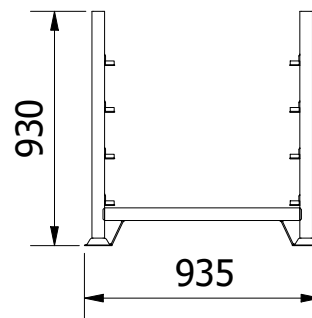
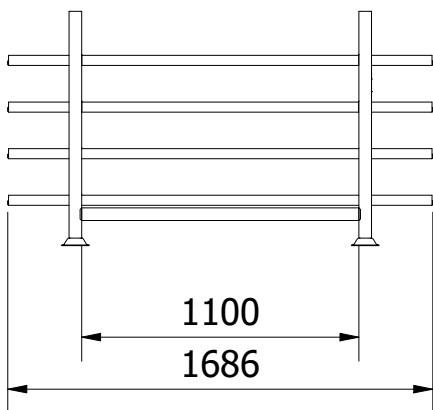
# Handling



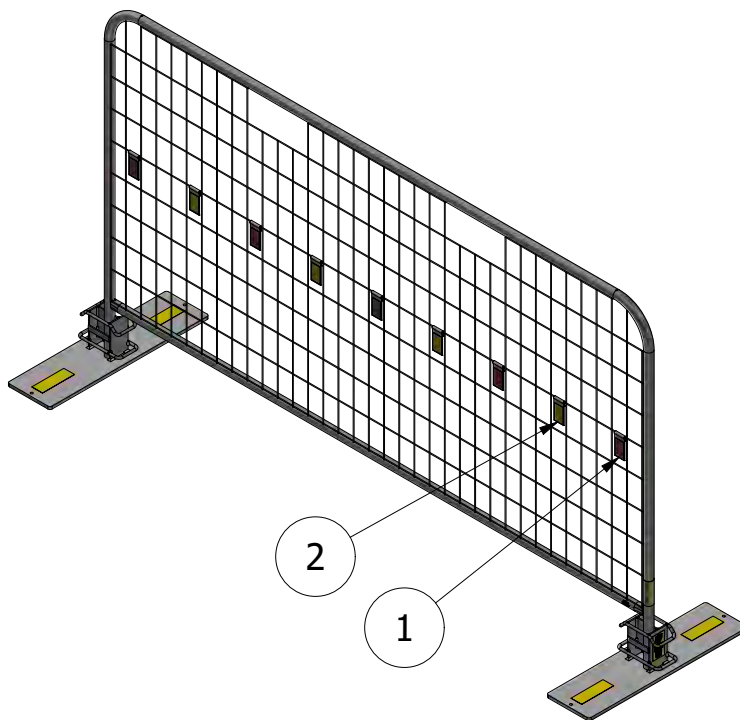
# Stacking - GC Foot



GC Foot Box  
Art nr. 88012  
HDG  
Mass: 73 kg



# Spare parts



NR.	PRODUKT	ART. NR.	MATERIAL
1	ProGuard Reflector Clip Red	10234	
2	ProGuard Reflector Clip Yellow	10235	