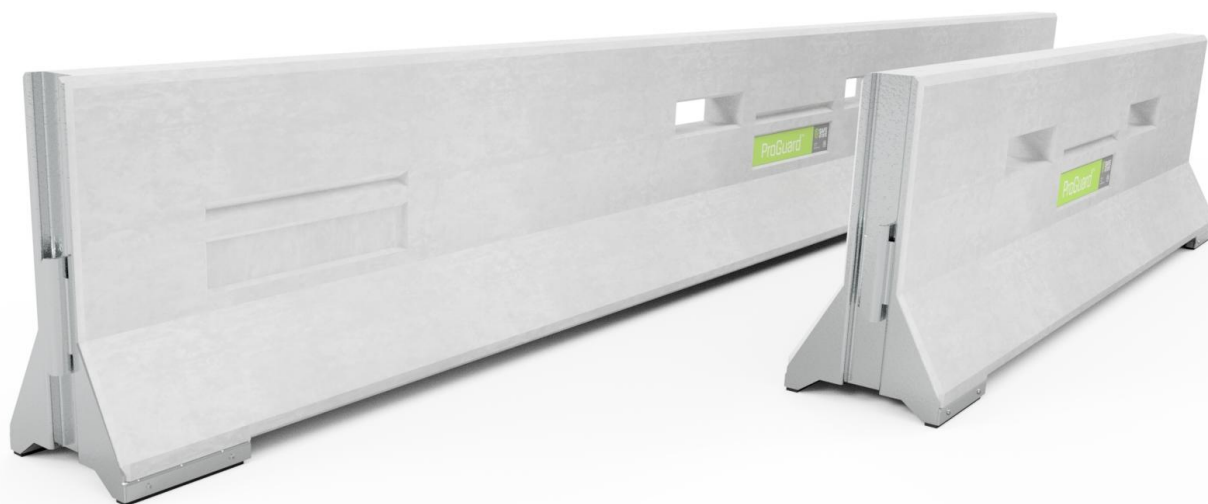


ProGuard[®]

CB 806/CB 803

www.safeatsite.com

CB



SAFE AT SITE

General

Installation and handling of barriers must be done by qualified personnel.

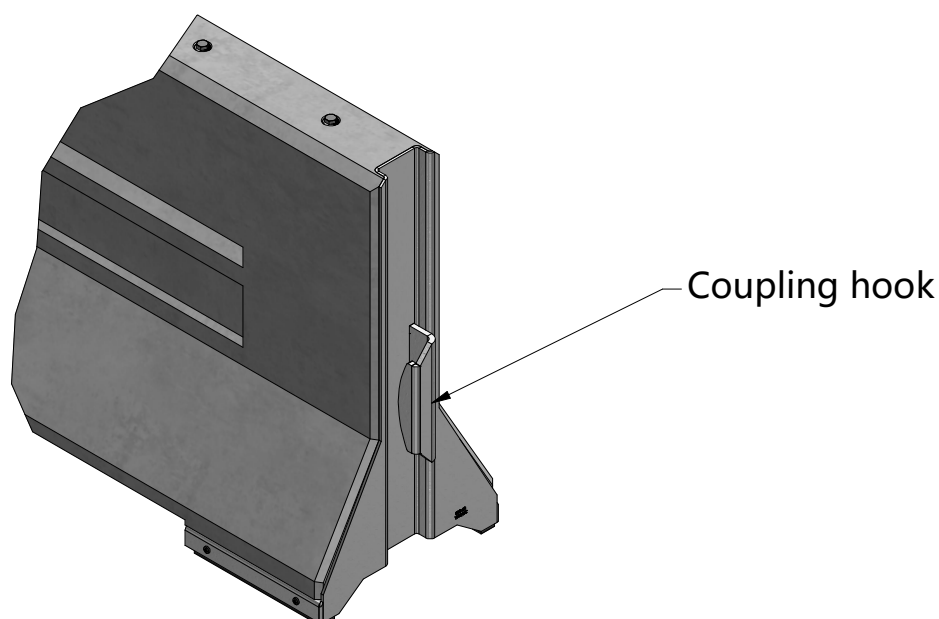
Always carry out a risk assessment and method description before installation. Inspect and identify possible wear or damages on the products before usage. Never use products that are damaged, rusty or are in general bad condition.

Before installation should the following be inspected and passed for the products to be used:

- Barriers must be free from broken concrete that significantly changes the total mass
- No cracks that goes throughout the barrier
- No major deformations or damages on the coupling hook
- Minimum 3 mm protruding of the Rubber Foot

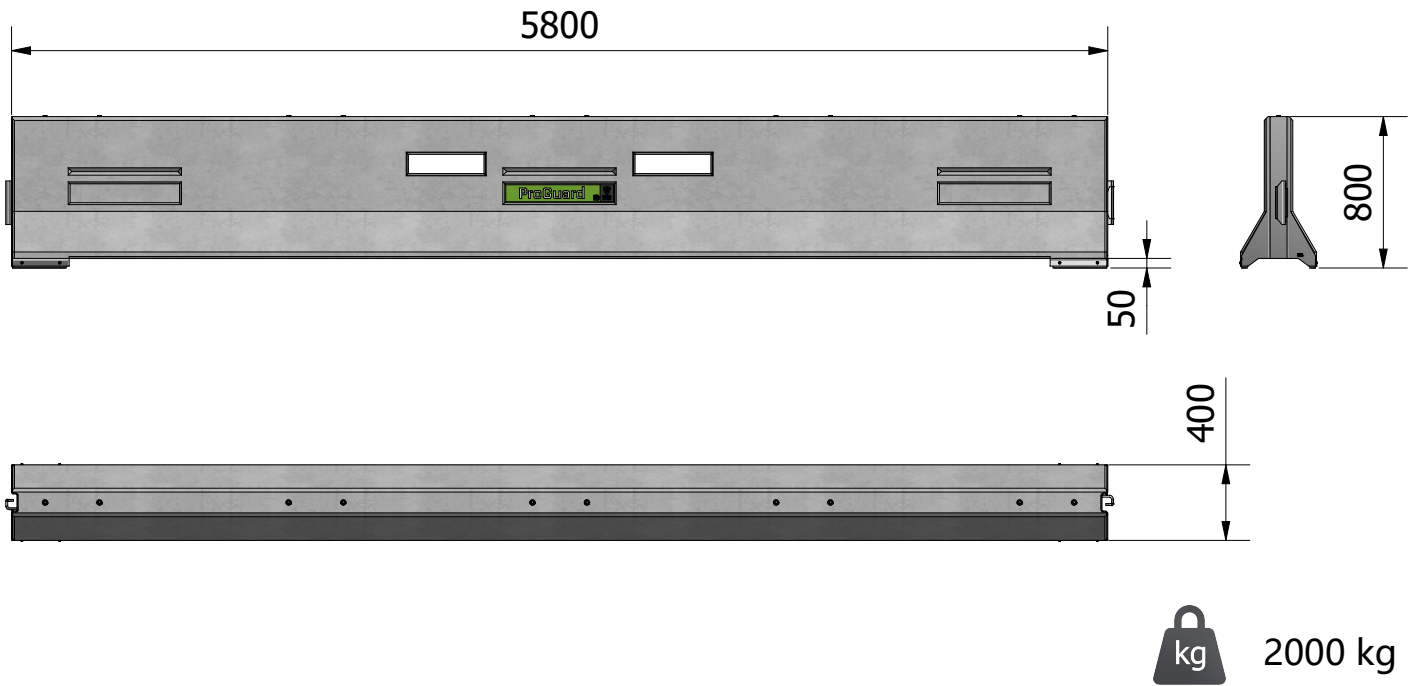
Use suitable tools and personal safety gear when handling the products. Always check that lifting materials or machines have enough lifting capacity for the task.

Barriers are intended to be used on asphalt.

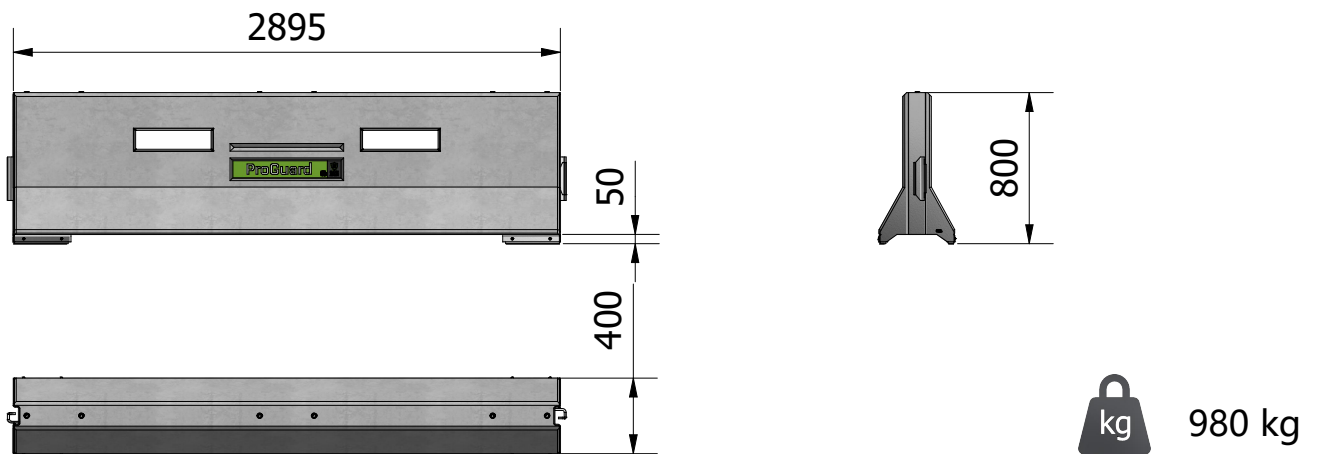


ProGuard CB

CB 806
Art. no. 10036



CB 803
Art. no. 10130



Specification

CB 806 is tested according to EN 1317-2, containment level T3.

CB 803 is tested according to EN 1317-2, containment level T2 and T3.

The products are approved for use by Swedish Transport Administration in the following documents:

TRV 2021/105249 - CB 806, T3

TRV 2022/72578 - CB 803, T2 and T3

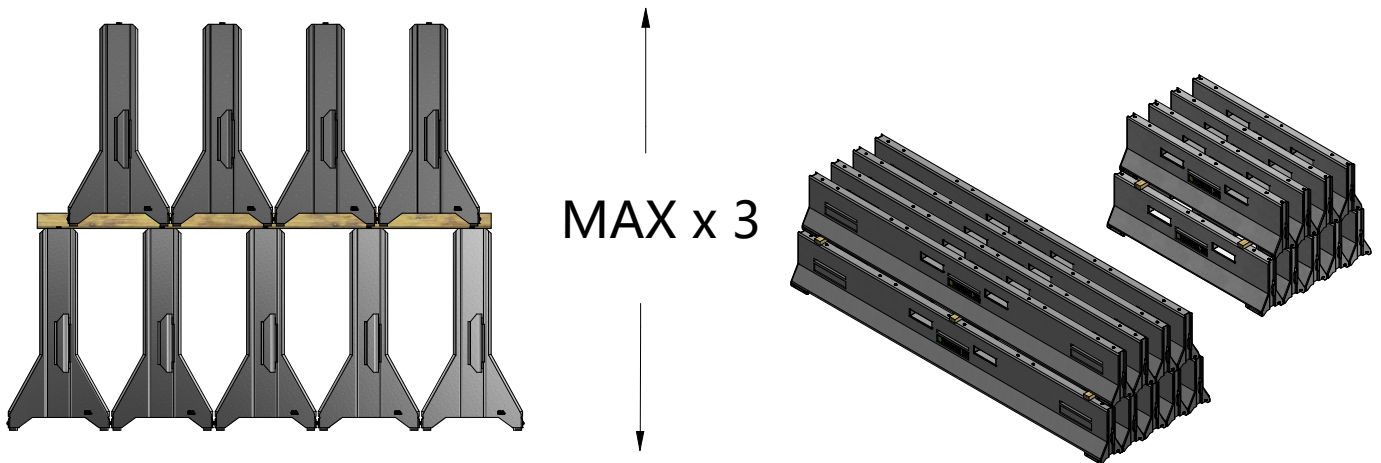
TRV 2023/78535 - CB 806, N2

Approved configurations is shown in the table below.

CB 806		
Containment level acc. to EN 1317-2	T3	N2
Working width class/Working width	W3/1,0m	W5/1,5m
Dynamic deflection	0,6m	1,1m
Impact Severity Level (ASI)	A	C
MIN installation length, unanchored	52,2m (9pcs)	52,2m (9pcs)
Min installation length prior to and after work zone	11,6m (2pcs)	11,6m (2pcs)
Configuration mass	18 000kg	18 000kg
Barrier length	5,8m	
Mass per unit	2000kg	
Radii capacity	120m	

CB 803		
Containment level acc. to EN 1317-2	T2	T3
Working width class/Working width	W2/0,8m	W4/1,3m
Dynamic deflection	0,4m	0,9m
Impact Severity Level (ASI)	A	A
MIN installation length, unanchored	26,1m (9pcs)	34,8m (12pcs)
Min installation length prior to and after work zone	8,7m	10,3m
Configuration mass	8820kg	11760kg
Barrier length	2,9m	
Mass per unit	980kg	
Radii capacity	61m	

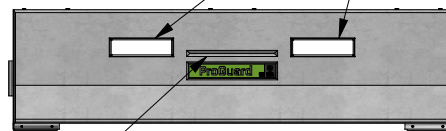
Storage and handling



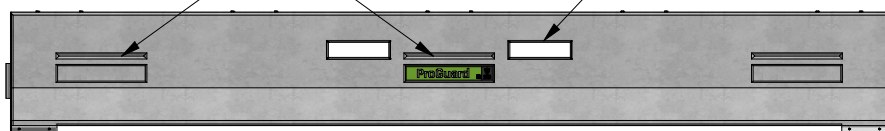
Barriers can be handled using:

- Lifting clamp
- Fork lift / wheel loader
- Sling

Openings for lifting with forks or sling

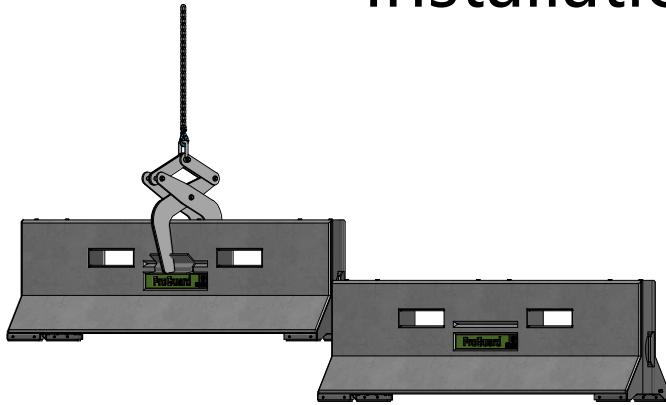


Slots for lifting with lifting clamp

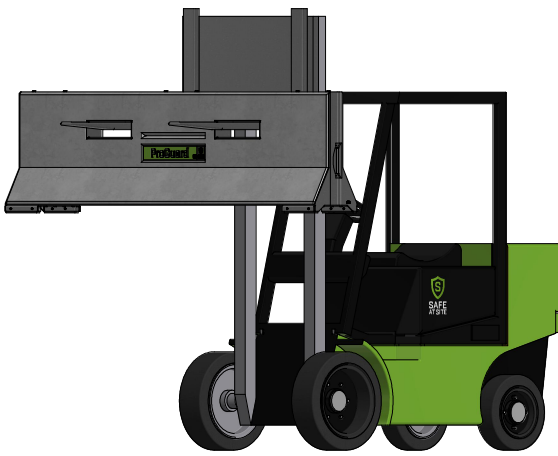


5/15

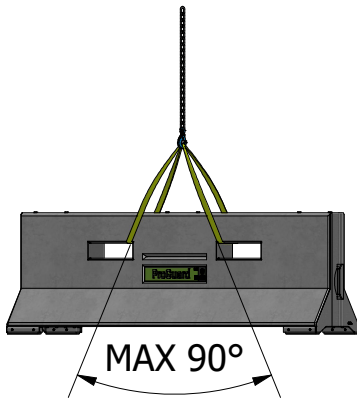
Installation



Lifting clamp



Fork lift / wheel loader



Sling



980 kg



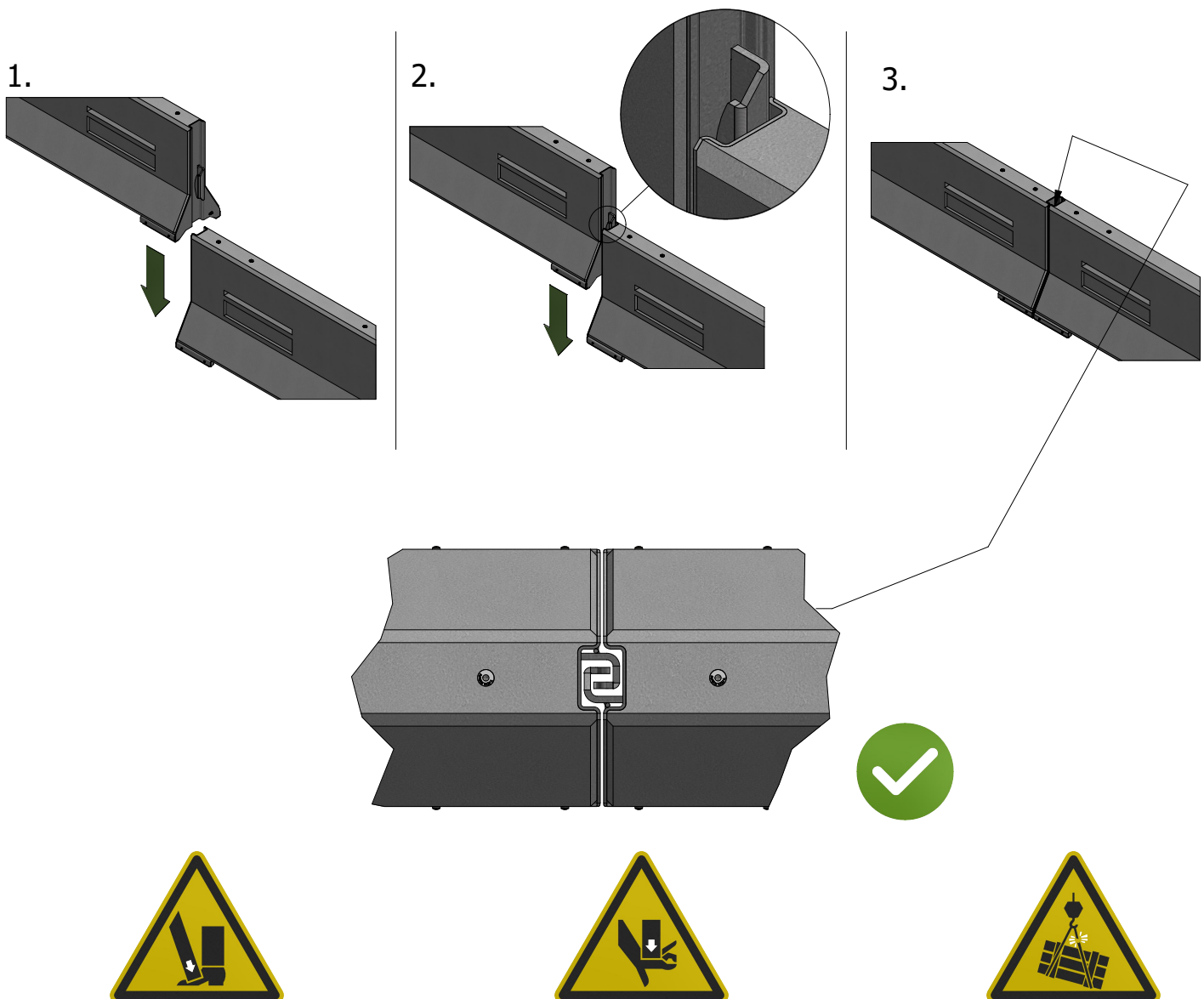
2000 kg



Installation

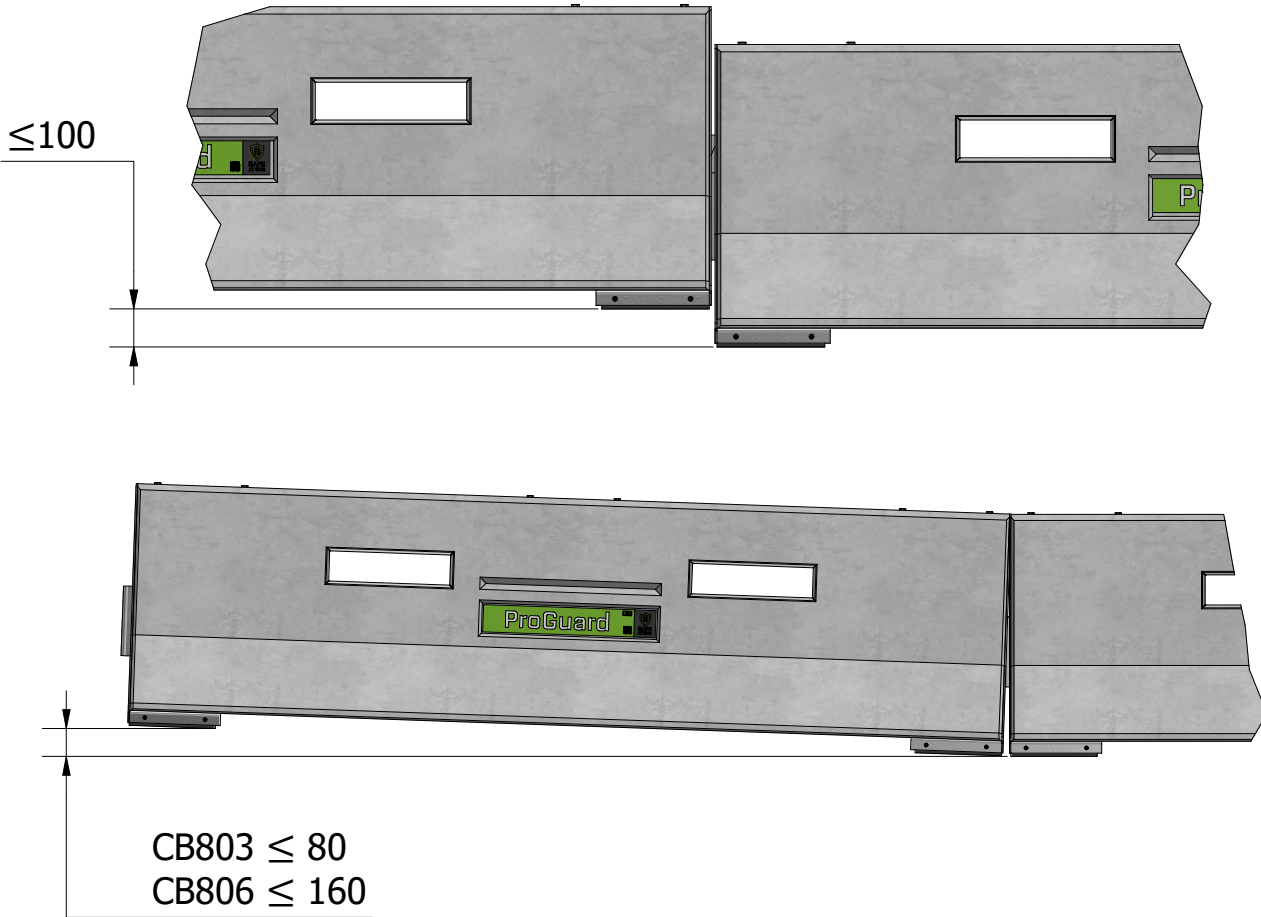
Unidirectional installation where each individual barrier can be lifted to create an opening anywhere on the installation.

Keep hands and feet on a safe distance from the connection when installing due to the risk of crushing!



Installation

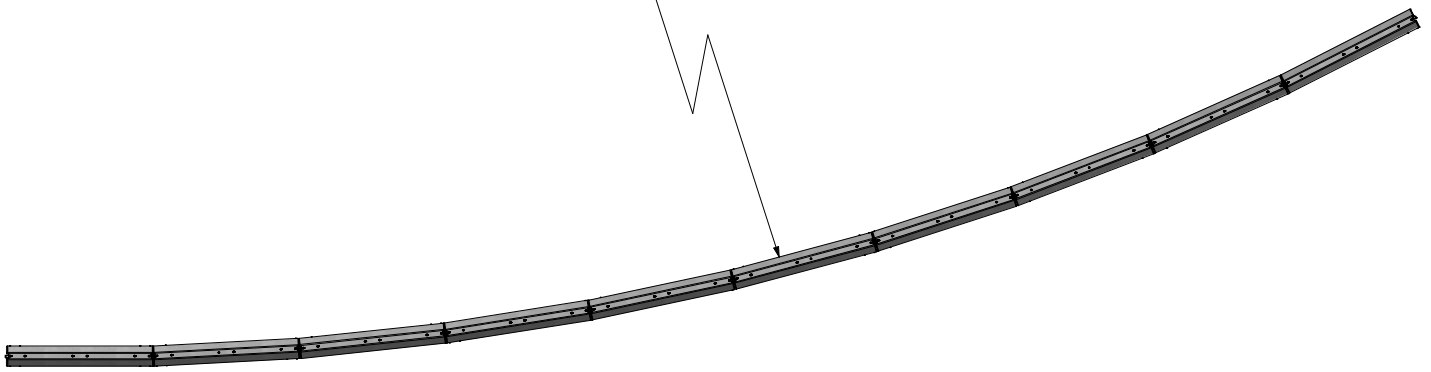
MAX height differences and angles [mm]



Radii capacity

CB 803 $\geq 61m$

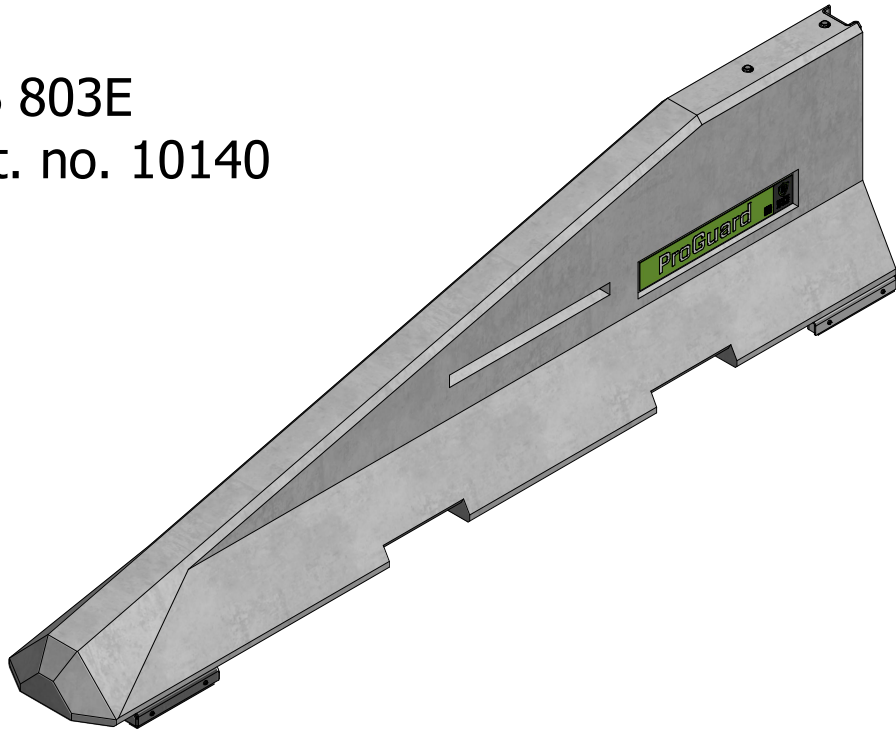
CB 806 $\geq 120m$



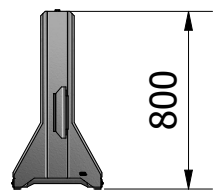
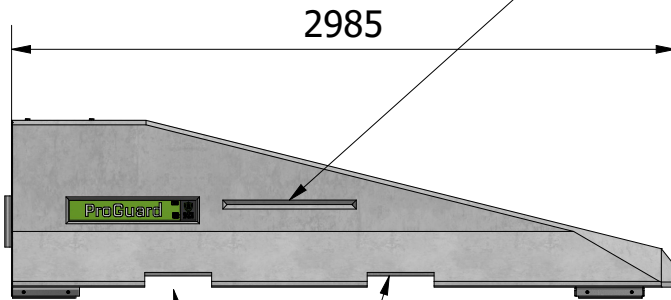
Accessories

End barrier

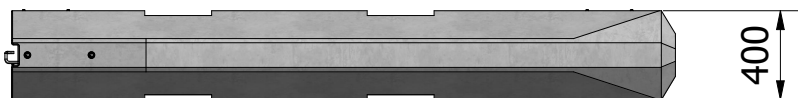
CB 803E
Art. no. 10140



Slots for lifting with lifting clamp

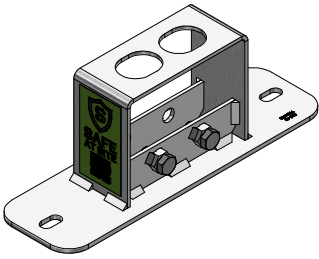


Openings for lifting with fork lift / wheel loader

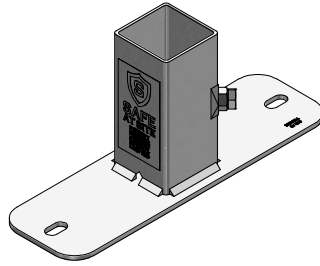


 740 kg

Accessories



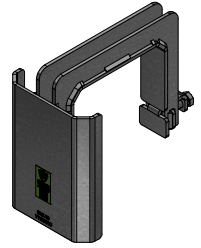
CB GC Attachment
Art. no. 10115



CB Sign Attachment
Art. no. 10110



CB X3 Attachment
Art. no. 10155



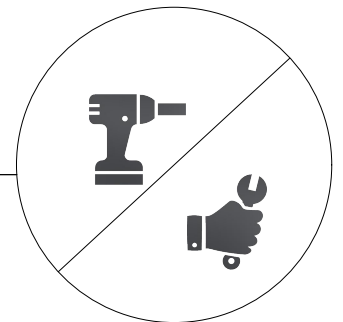
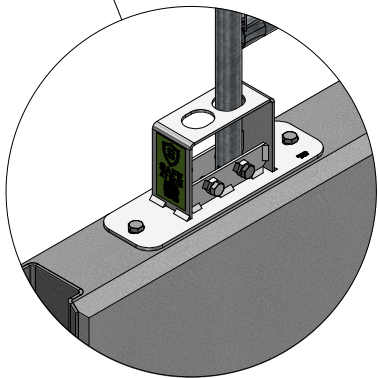
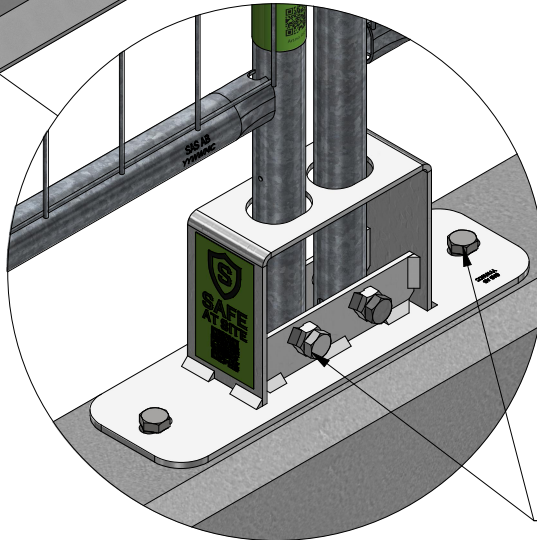
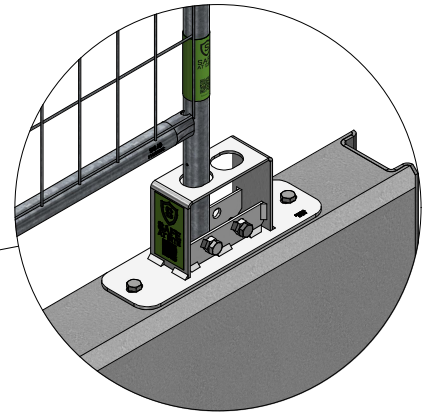
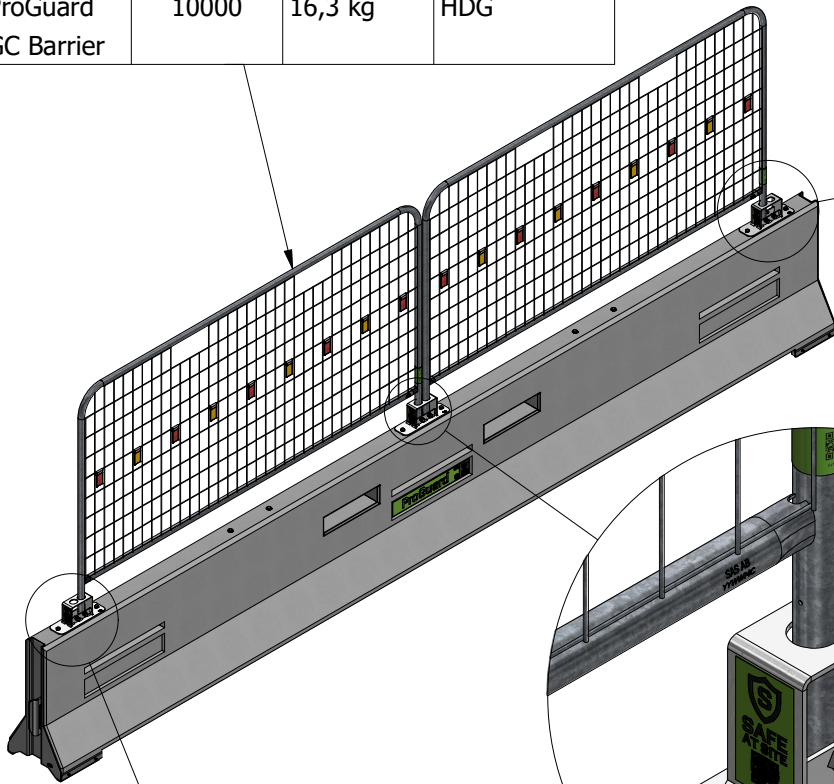
CB Clamp
Art. no. 10315

Accessories

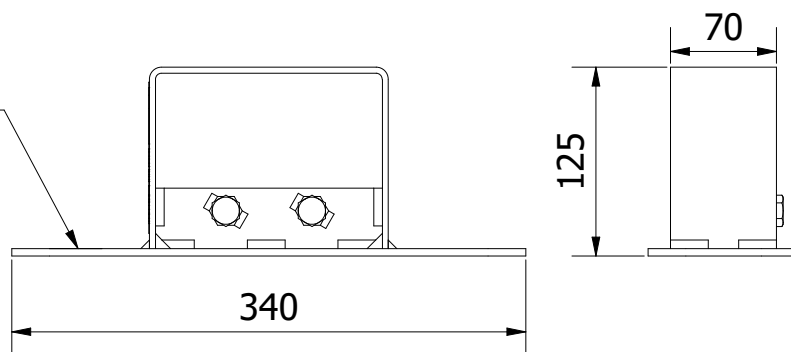
CB GC Attachment

Art. no. 10115

PRODUCT	ART. NR.	MASS	MATERIAL
ProGuard GC Barrier	10000	16,3 kg	HDG

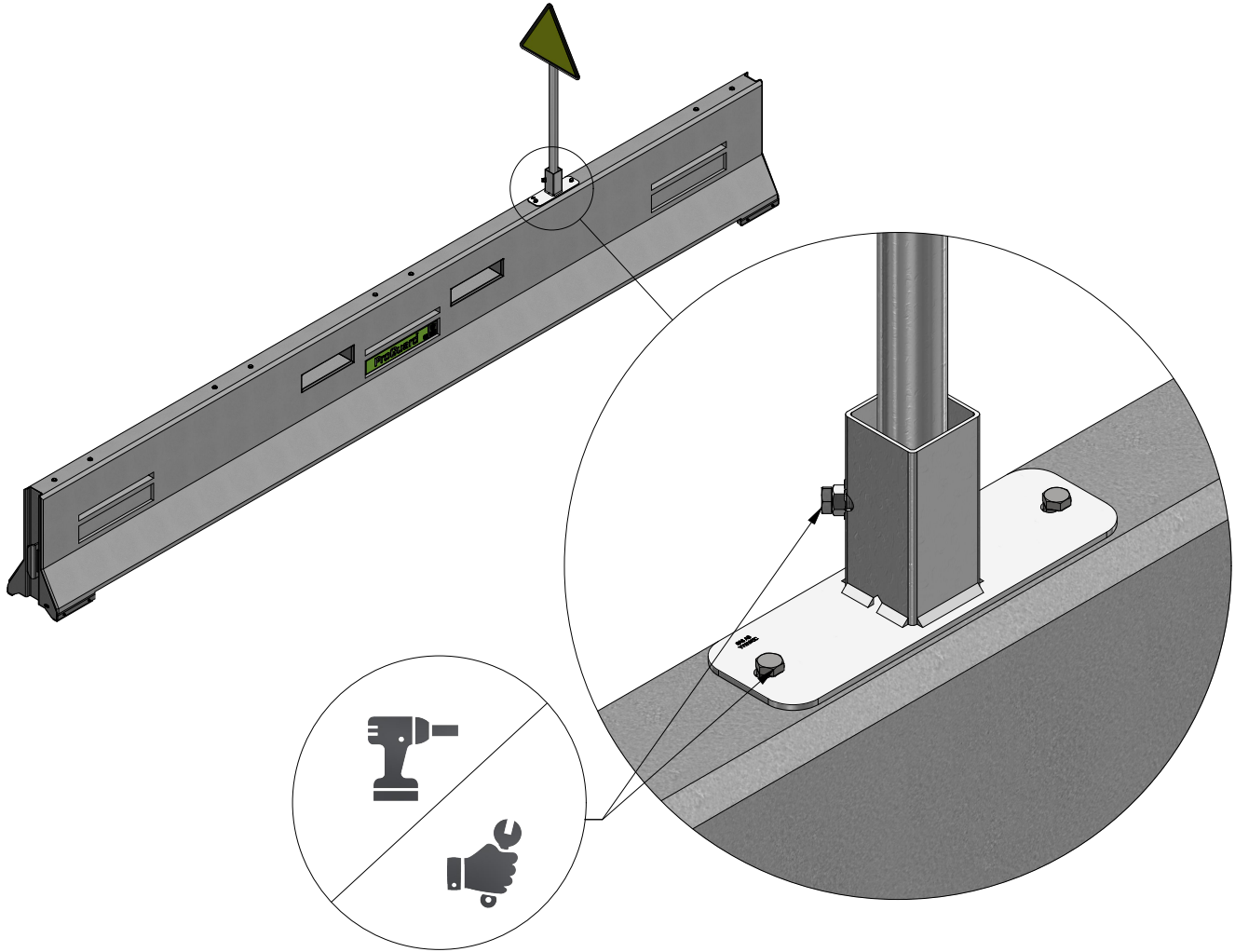


CB GC Attachment
Art. no. 10115

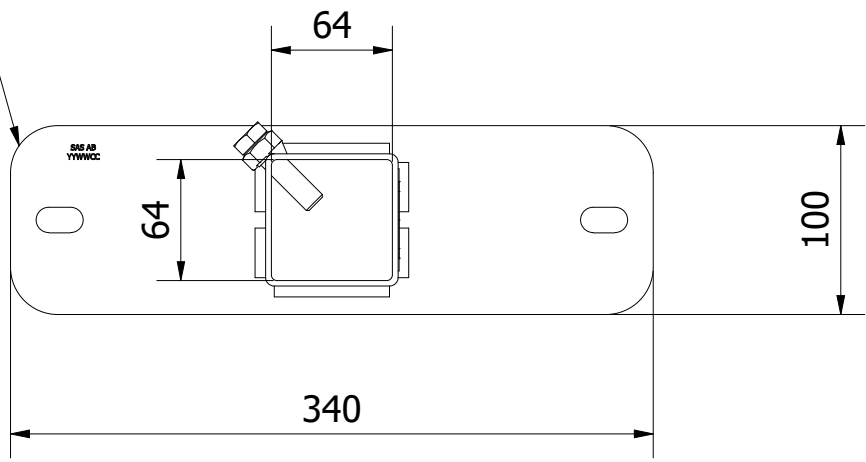


Accessories

CB Sign Attachment
Art. no. 10110



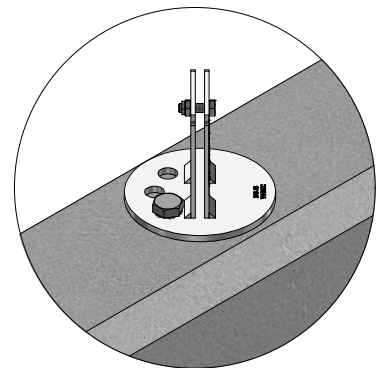
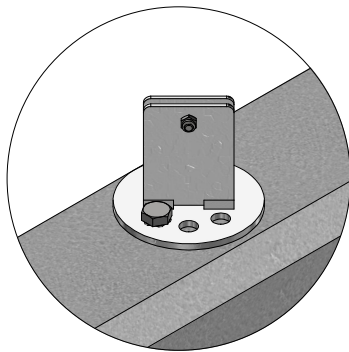
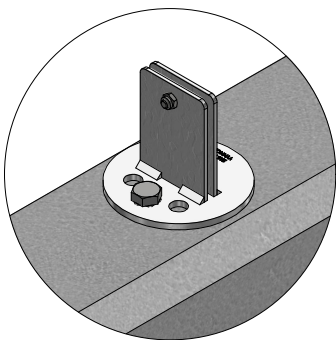
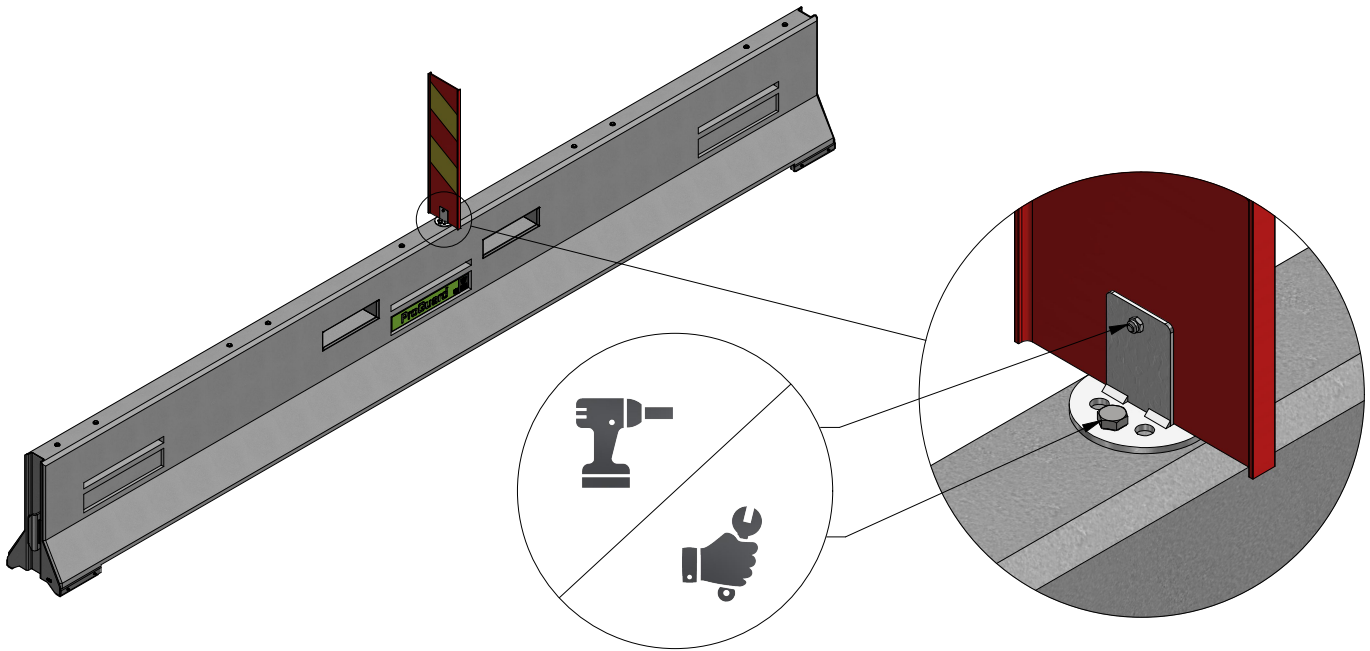
CB Sign Attachment
Art. no. 10110



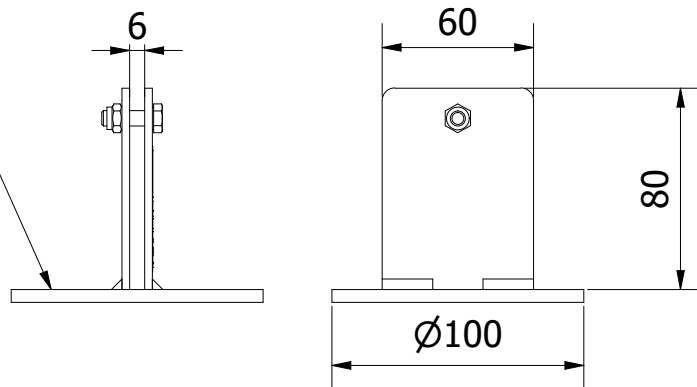
Accessories

CB X3 Attachment

Art. no. 10155



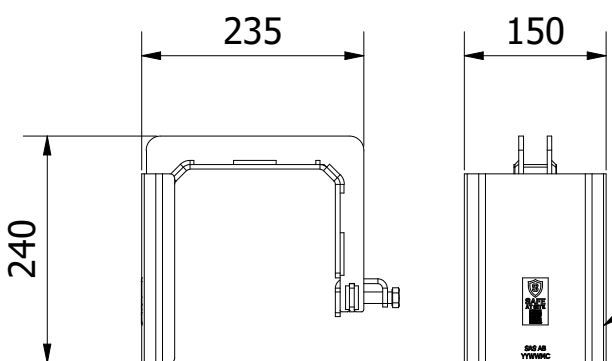
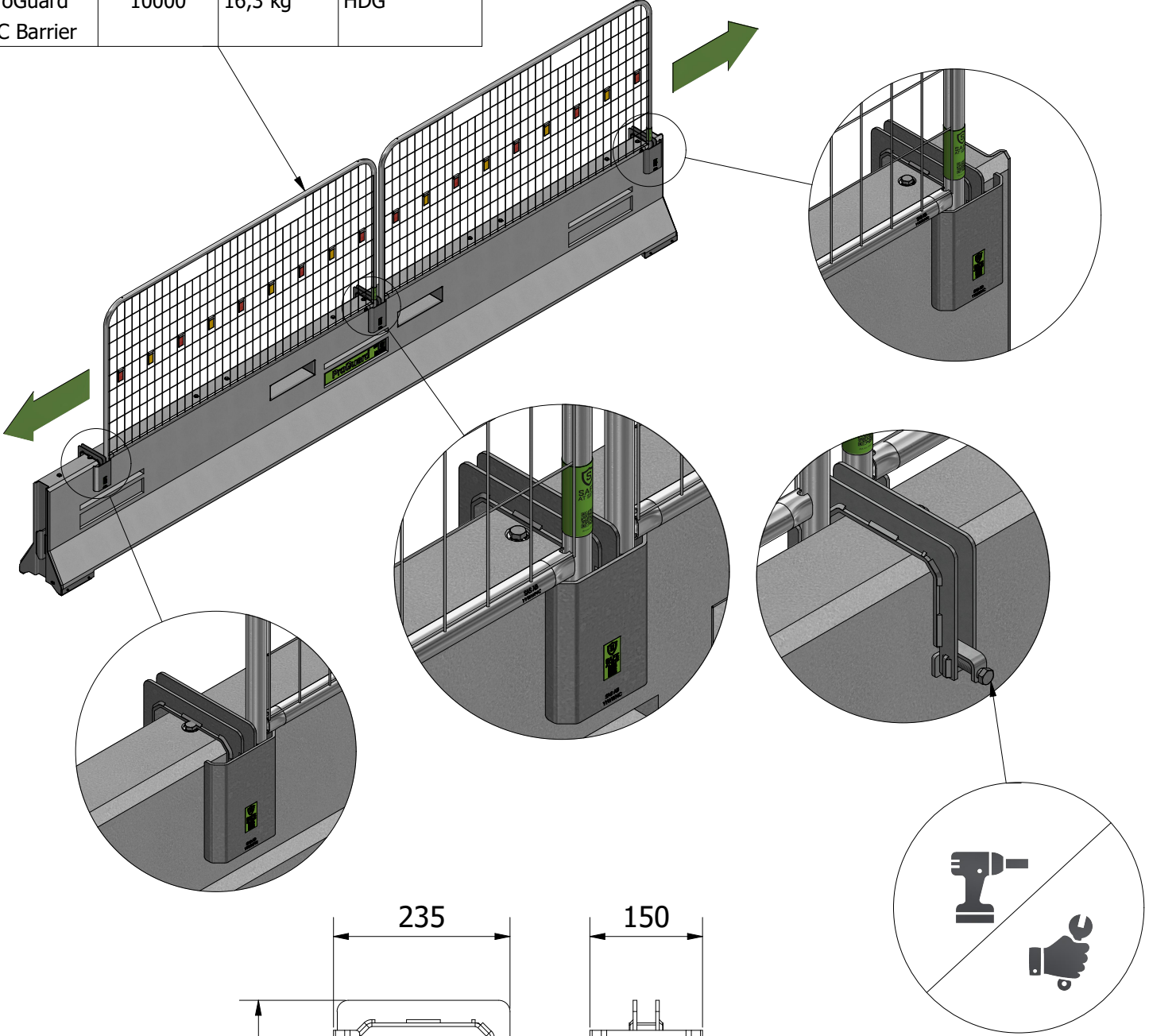
CB X3 Attachment
Art. no. 10155



Accessories

CB Clamp
Art. no. 10315

PRODUCT	ART. NR.	MASS	MATERIAL
ProGuard GC Barrier	10000	16,3 kg	HDG



CB Clamp
Art. no. 10315

Accessories

CB Corner Adapter

Art. no. 10090

